

∅ 4x70

- 22 set

(a)

∅ 3.5x16

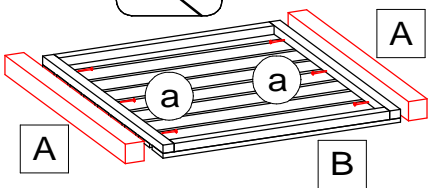
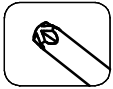
- 24 set

(b)

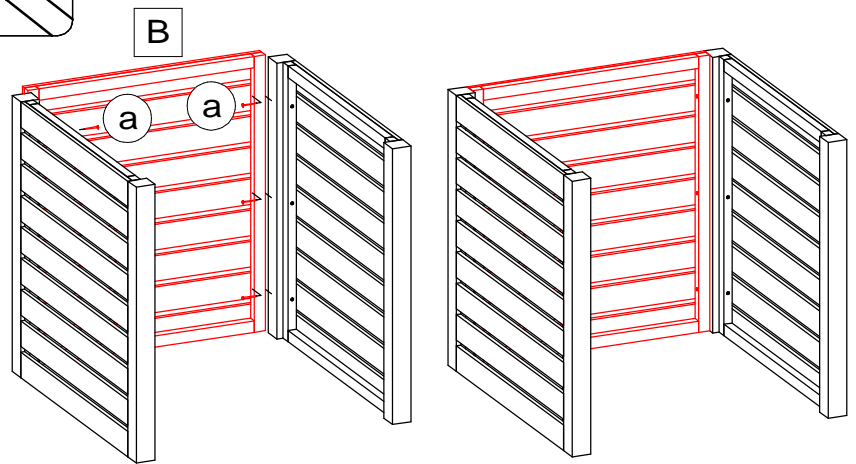
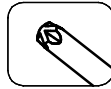
Component

A	Table top	4 set
B	Side	3 pcs.
C	Upper front	1 pcs.
D	Bottom front	1 pcs.
E	Flap	1 pcs.
F	Hinge	4 pcs.
G	Hook 80	1 pcs.

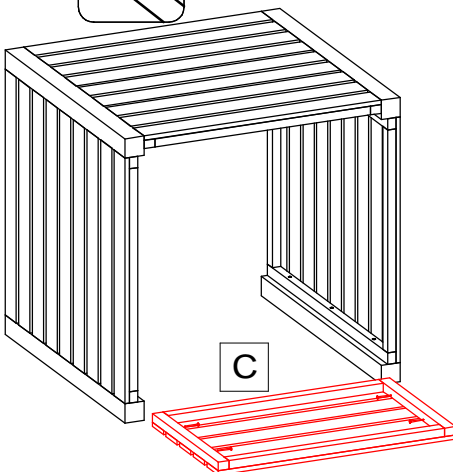
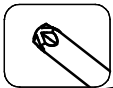
1



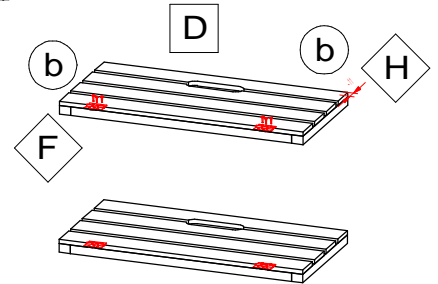
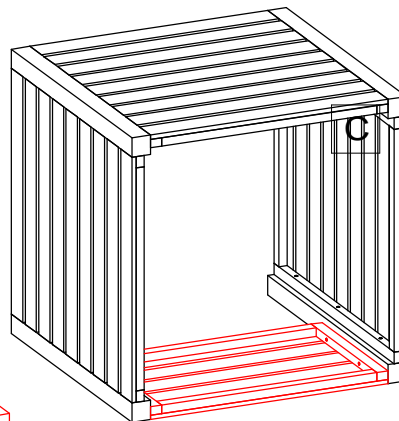
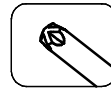
2



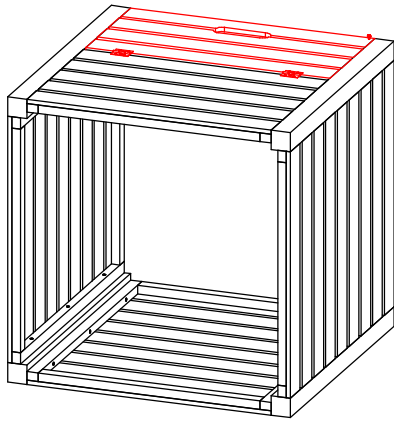
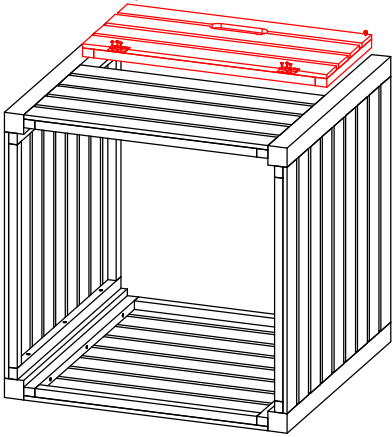
3



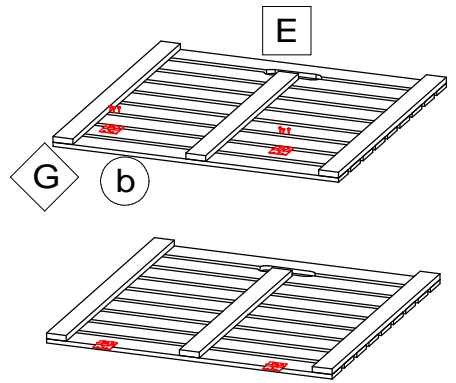
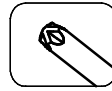
4



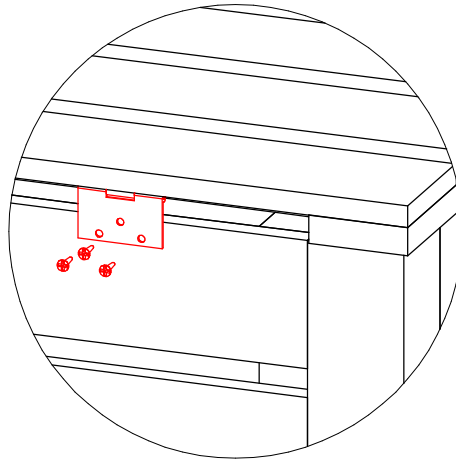
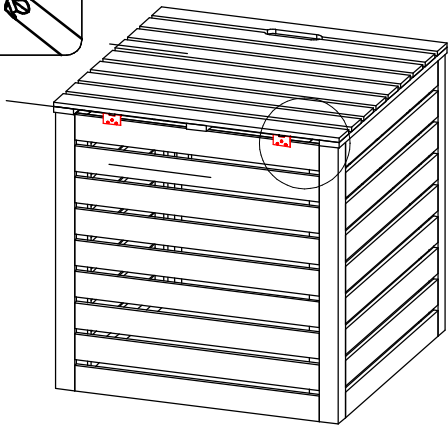
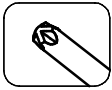
5



6



7



8

