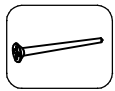


Component

A	Front	1 set
B	Side R L	1+1 pcs.
C	Back	1 pcs.
D	Bottom	1 pcs.
E1	Long leg	2 set
E2	Short leg	2 set
F	Shelf	1 pcs.
G	Window	2 pcs.
H	Lath	2 pcs.
I	Hinge	4 pcs.
J1	Foil - non-woven 1300x450	1 set
J2	Foil - non-woven 1300x380	1 set
J3	Foil - non-woven 1300x600	1 set
J4	Foil - non-woven 600x450	2 set



∅ 4x50

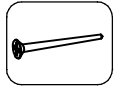
- 68 set

(a)

∅ 3.5x16

- 24 set

(b)

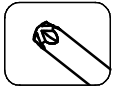


∅ 3.5x30

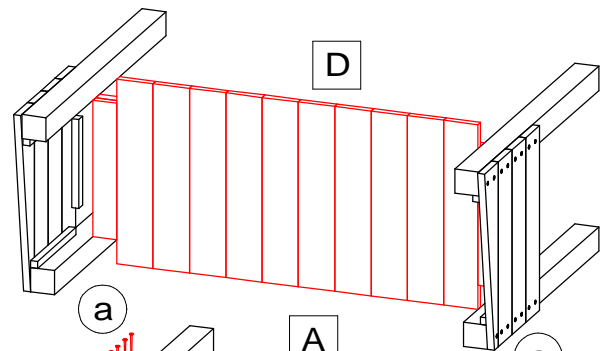
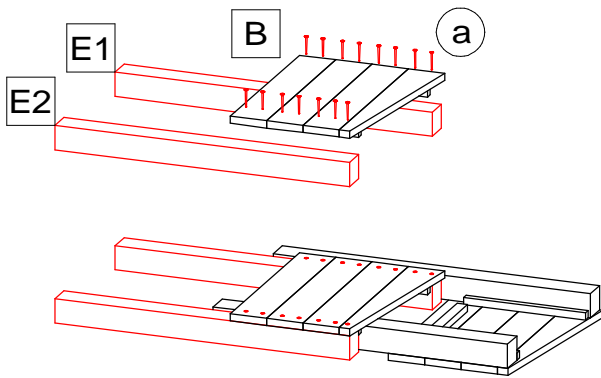
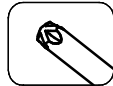
- 2 set

(c)

1



2



3

