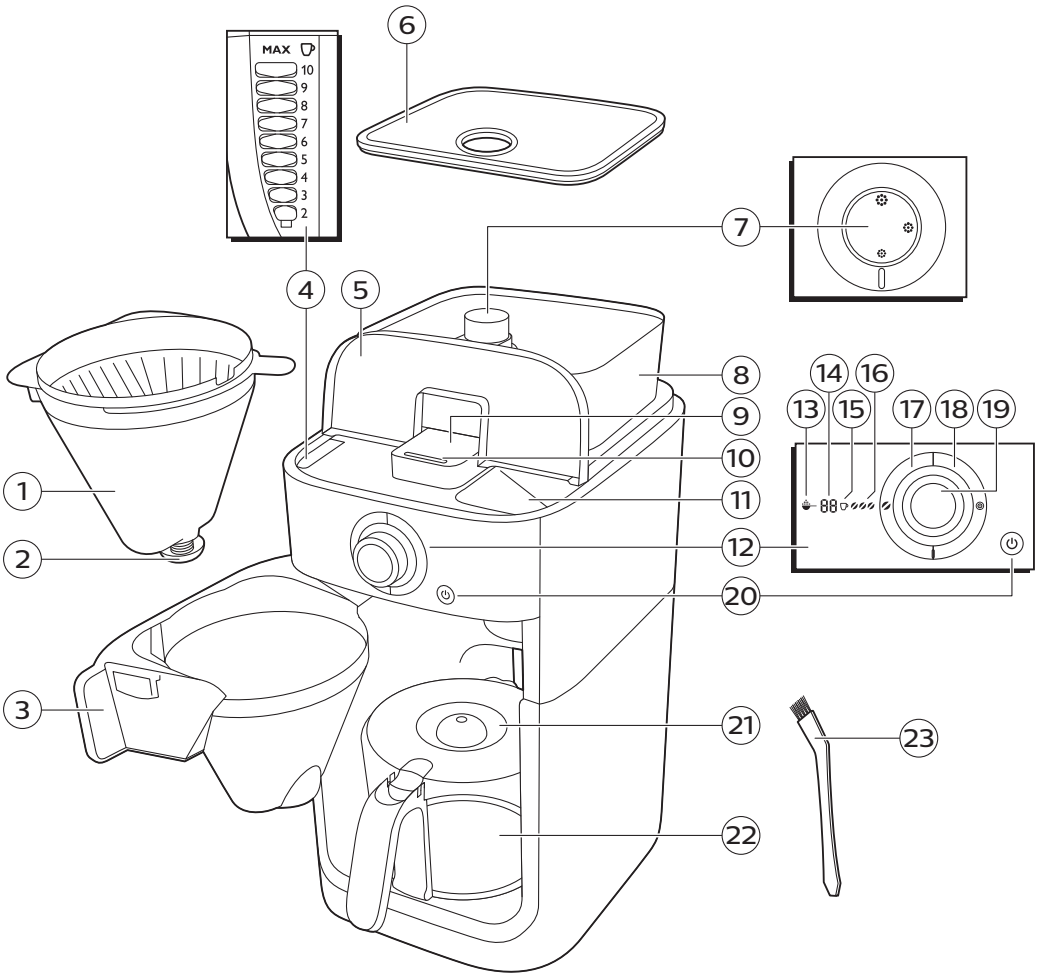


PHILIPS

HD7767, HD7765







English 6
Dansk 15
Español 23
Français 32
Nederlands 41
Norsk 50
Português 58
Suomi 67
Svenska 75

Introduction

Congratulations on your purchase and welcome to Philips! To fully benefit from the support that Philips offers, register your product at www.philips.com/welcome.

General description (Fig. 1)

- 1 Filter basket
- 2 Drip stop
- 3 Filter basket holder
- 4 Water level indicator
- 5 Water reservoir lid
- 6 Bean container lid
- 7 Coarseness knob
- 8 Coffee bean container
- 9 Grinder funnel lid
- 10 Lock of grinder funnel lid
- 11 Water filling hole
- 12 Display
- 13 Pre-ground coffee icon
- 14 Number of cups
- 15 Coffee cup icon
- 16 Strength select coffee bean icon
- 17 Strength select button
- 18 Grinder clean button
- 19 Control knob
- 20 On/off button
- 21 Glass jug lid
- 22 Glass jug
- 23 Bean chute cleaning brush

Important

Danger

- Never immerse the appliance in water or any other liquid, nor rinse it under the tap.

Warning

- Check if the voltage indicated on the appliance corresponds to the local mains voltage before you connect the appliance.
- Do not use the appliance if the plug, the mains cord or the appliance itself is damaged.
- If the mains cord is damaged, you must have it replaced by Philips, a service center authorized by Philips or similarly qualified persons in order to avoid a hazard.
- Connect the appliance to an earthed wall socket.

- This appliance can be used by children aged from 8 years and above and by persons with reduced physical, sensory or mental capabilities or lack of experience and knowledge if they have been given supervision or instruction concerning use of the appliance in a safe way and if they understand the hazards involved. Cleaning and user maintenance shall not be made by children unless they are older than 8 and supervised. Keep the appliance and its cord out of reach of children aged less than 8 years.
- Children shall not play with the appliance.
- Only use this appliance for its intended purpose to avoid potential hazard or injury.
- Do not let the mains cord hang over the edge of the table or worktop on which the appliance stands.
- Do not touch the grinding burrs of the of the appliance, especially when the appliance is connected to a wall socket.
- Do not touch the hot surfaces of the appliance when it operates.
- Do not empty the water reservoir by tilting the appliance, as this can damage the appliance. To empty the appliance, follow the instructions for flushing the appliance (see 'Flushing the appliance').
- If a problem occurs that you cannot solve by means of this user manual, contact the Consumer Care Center in your country. If the problem cannot be solved, take the appliance to a service center authorized by Philips for examination or repair. Do not attempt to repair the appliance yourself, otherwise your warranty becomes invalid.

Caution

- Do not place the appliance on a hot surface and prevent the mains cord from coming into contact with hot surfaces.
- Do not place the coffeemaker in a cabinet when in use.
- Unplug the appliance if problems occur during grinding or brewing and before you clean it.

8 English

- Keep the plug and the wall socket dry.
- Do not lift and move the appliance while it is operating.
- The jug is hot during and after brewing. Always hold the jug by its handle.
- Never use the jug in a microwave oven.
- Wait until the appliance has cooled down before you store it. The hotplate and the coffee jug may be hot.
- After you have unpacked the appliance, make sure it is complete and undamaged. If in doubt, do not use the appliance but contact the Consumer Care Center in your country.
- This machine is intended for normal household use only. It is not intended for use in environments such as staff kitchens of shops, offices, farms or other work environments.

Electromagnetic fields (EMF)

This Philips appliance complies with all applicable standards and regulations regarding exposure to electromagnetic fields.

Before first use

Setting the automatic switch-off time

You can choose how long you want your coffee to stay hot after brewing by adjusting the time after which the appliance automatically switches off. The default automatic switch-off time is 30 minutes. The maximum automatic switch-off time is 120 minutes. To adjust the automatic switch-off time, follow the steps below.

- 1 Make sure that the appliance is switched off but the mains plug is in the wall socket.
- 2 Press the center of the control knob until the display starts flashing.
- 3 Turn the control knob to increase or decrease the time. 1 is 10 minutes, 2 is 20 minutes, 3 is 30 minutes and so on until 12 is 120 minutes.
- 4 Press the center of the control knob to confirm the automatic switch-off time.

Note: The appliance always saves the last setting.

Flushing the appliance

Always flush the coffeemaker once before first use.

- 1 Open the water reservoir lid. Fill the water reservoir with fresh cold water up to the 8-cup indication (Fig. 2).

Note: Do not put coffee beans or pre-ground coffee in the water reservoir.

- 2 Close the water reservoir lid.
- 3 Put the jug in the appliance (Fig. 3).

- 4 Press the on/off button (Fig. 5). The display lights up and the appliance beeps.
- 5 Press the strength select button (Fig. 4).
- 6 Turn the control knob to choose the pre-ground coffee setting (Fig. 6). The pre-ground coffee icon starts flashing.
- 7 Press the center of the control knob to confirm (Fig. 7).
- 8 Press the center of the control knob again. The appliance starts the flushing process.
- 9 Let the appliance operate until the flushing process is finished. It is finished when the appliance stops beeping.
- 10 Empty the jug.
- 11 Press the on/off button to switch off the appliance.

Using the appliance

Filling the water reservoir

There are indications for 2 to 10 cups (275ml to 1375ml) on the water-level window. You can use these indications to determine how much water to put in the water reservoir. The reflection changes from light to dark for each cup of water added.

- 1 Open the water reservoir lid and fill the water reservoir with the required amount of cold water (Fig. 2).

Note: Do not fill the water reservoir beyond the 10-cup indication.

Note: Make sure that the amount of water you pour into the water reservoir is consistent with the number of cups you want to brew. The coffeemaker uses all the water in the water reservoir.

Using coffee beans

Warning: Always keep the water reservoir lid closed when you fill the coffee bean container with coffee beans. Otherwise coffee beans can fall into the water reservoir and block up the water inlet.

- 1 Open the coffee bean container lid (Fig. 8).
- 2 Fill the container with coffee beans. Make sure that there are enough coffee beans in the container for the amount of coffee you want to brew (Fig. 9).

Note: Always make sure that the bean container is at least half full.

Warning: To prevent the grinder from jamming, do not use unroasted or caramelized beans. Use coffee beans instead of espresso beans, as espresso beans may damage the grinder.

- 3 Open the filter basket holder (Fig. 10).
- 4 Place a paper filter (type 1x4 or no. 4) or the permanent filter in the filter basket (Fig. 11).
- 5 Close the filter basket holder.
- 6 Turn the coarseness knob to select the desired type of grind (from fine to coarse). There are nine grind settings (Fig. 12).

Tip: The coarseness knob allows you to choose between 9 different settings. The icons indicate 3 preselected optimal settings, but you can choose any setting in between. We advise you to experiment with the different grind settings to find out which setting you prefer.

- 7 Press the strength button (Fig. 4). The coffee bean icons start flashing.

10 English

- 8 Turn the control knob to select the desired coffee strength: 1 bean for mild coffee, 2 beans for medium-strong coffee or 3 beans for strong coffee.
- 9 Press the center of the control knob to confirm the strength (Fig. 7).
- 10 To select the number of cups, turn the control knob until the desired number of cups flashes on the display. (Fig. 13)

Note: Please keep in mind that the coffeemaker uses all the water in the water reservoir. If you select a number of cups that is smaller than the amount of water, the coffee becomes weaker than you intended.

- 11 Press the center of the control knob to confirm the number of cups (Fig. 7).
- 12 Press the center of the control knob again. The appliance beeps and starts grinding the required amount of coffee beans. When the grinding process is finished, the appliance starts brewing coffee
- 13 Wait until the coffeemaker has stopped beeping before you remove the jug.

Note: After brewing, coffee drips from the filter basket for several seconds.

- 14 The appliance keeps your coffee hot until it switches off automatically. If you do not need your coffee to be kept hot, press the on/off button to switch off the appliance.

Using pre-ground coffee

If you want to use pre-ground coffee instead of coffee beans, follow the steps below.

- 1 Open the water reservoir lid and fill the water reservoir with the required amount of cold water (Fig. 2).
- 2 Open the filter basket holder (Fig. 10).
- 3 Place a paper filter (type 1x4 or no. 4) or the permanent filter in the filter basket.
- 4 Put pre-ground coffee in the paper filter or in the permanent filter.
- 5 Close the filter basket holder.
- 6 Put the jug in the appliance (Fig. 3).
- 7 Press the on/off button (Fig. 5). The display lights up.
- 8 Press the strength select button (Fig. 4).
- 9 Turn the control knob to choose the pre-ground coffee setting (Fig. 6). The pre-ground coffee icon lights up.
- 10 Press the center of the control knob to confirm (Fig. 7).
- 11 Then press the center of the control knob again to start the brewing process.
- 12 Wait until the coffeemaker has stopped beeping before you remove the jug.

Note: After brewing, coffee drips from the filter basket for several seconds.

- 13 The appliance keeps your coffee hot until it switches off automatically. If you do not need your coffee to be kept hot, press the on/off button to switch off the appliance.

Drip stop function

The drip stop function enables you to remove the jug from the coffeemaker before the brewing process is finished. When you remove the jug, the drip stop stops the flow of coffee into the jug.

Note: The brewing process does not stop when you remove the jug. If you do not put the jug back in the appliance within 20 seconds, the filter basket overflows.

Cleaning and maintenance

Cleaning after every use

Never immerse the appliance in water or any other liquid, nor rinse it under the tap.

- 1 Remove the mains plug from the wall socket.
- 2 Wipe the outside of the coffeemaker with a damp cloth.
- 3 Clean the filter basket and the permanent filter with hot water and some washing-up liquid or clean them in the dishwasher.

Cleaning the grinder funnel

Important: Clean the grinder funnel every 1 to 2 weeks to prevent clogging with ground coffee. This is easily and quickly done by following the steps below.

Note: Make sure the coffee bean container is empty before you start the cleaning procedure.

- 1 Press the on/off button to switch off the appliance (Fig. 14).
- 2 Open the filter basket holder (Fig. 10).
- 3 Place a paper filter (type 1x4 or no. 4) or the permanent filter in the filter basket (Fig. 11).
- 4 Close the filter basket holder.
- 5 Use the end of the bean chute cleaning brush to open the grinder funnel lid (Fig. 15).
- 6 Press and hold the grinder clean button for 4 seconds (Fig. 16). The grinder starts cleaning itself.
- 7 When the grinder has stopped cleaning, use the bean chute cleaning brush to brush ground coffee residues into the lower part of the funnel (Fig. 17). The ground coffee residues fall into the filter basket.
- 8 Close the lid of the grinder funnel.
- 9 Remove the paper filter or permanent filter with the ground coffee residues.

Descaling the coffeemaker

Descal the coffeemaker when you notice excessive steaming or when the brewing time increases. It is advisable to descale the coffeemaker every two months. Only use white vinegar to descale, as other products may cause damage to the coffeemaker. For more information on descaling, see www.philips.com/descale-coffeemaker.

Warning: Never use vinegar with an acetic acid content of 8% or more, natural vinegar, powder descalers or tablet descalers to descale the appliance, as this may cause damage.

- 1 Open the water reservoir lid.
- 2 Fill the water reservoir up to 10 cup indication with white vinegar (4% acetic acid).
- 3 Place a paper filter (type 1x4 or no. 4) or the permanent filter in the filter basket and close the filter basket holder.
- 4 Put the empty jug in the appliance.
- 5 Put the mains plug in the wall socket.
- 6 Press the on/off button to switch on the appliance (Fig. 5). The display lights up.
- 7 Press the strength select button and turn the control knob to choose the pre-ground coffee setting (Fig. 6).

12 English

- 8 Press the center of the control knob to confirm (Fig. 7).
- 9 Press the center of the control knob again to start the brewing process.
- 10 Wait until half of the vinegar has flowed into the jug. Then press the on/off button to interrupt the brewing process. Let the vinegar act for at least 15 minutes.
- 11 Press the on/off button to switch the coffeemaker back on.
- 12 Press the center of the control knob twice to let the appliance complete the brewing process (Fig. 18).
- 13 Empty the jug and remove the paper filter or the permanent filter with the scale residues.
- 14 Fill the water reservoir with fresh cold water and press the center of the control knob twice to start another brewing process (Fig. 18). Let the coffeemaker complete the entire brewing process and empty the jug.

Note: If necessary repeat step 14 until the water that comes out of the appliance no longer tastes or smells of vinegar.

- 15 Clean the filter basket and the jug with hot water and some washing-up liquid.
- 16 Press the on/off button on the front of the appliance to switch off the appliance (Fig. 14).

Warranty and support

If you need information or support, please visit www.philips.com/support or read the international warranty leaflet.

Ordering accessories

To buy accessories or spare parts, visit www.shop.philips.com/service or go to your Philips dealer. You can also contact the Philips Consumer Care Center in your country (see the international warranty leaflet for contact details).

Recycling

- This symbol means that this product shall not be disposed of with normal household waste (2012/19/EU) (Fig. 19).
- Follow your country's rules for the separate collection of electrical and electronic products. Correct disposal helps prevent negative consequences for the environment and human health.

Troubleshooting

This chapter summarizes the most common problems you could encounter with the appliance. If you are unable to solve the problem with the information below, visit www.philips.com/support for a list of frequently asked questions or contact the Consumer Care Center in your country.

Problem	Solution
The appliance does not work.	Put the mains plug in the wall socket and press the on/off button to switch on the appliance.
	Make sure that the voltage indicated on the appliance corresponds to the local mains voltage.
	Fill the water reservoir with water.
	Close the lid of the grinder funnel.

The grinder does not work or does not work properly.	Make sure that you did not select pre-ground coffee. If the symbol for pre-ground coffee is visible on the display, you selected pre-ground coffee.
	Clean the grinder funnel by following the instructions (see 'Cleaning the grinder funnel').
When I use the grinder, the coffee is too weak.	Make sure that the number of cups you selected is consistent with the amount of water in the water reservoir. Please keep in mind that the coffeemaker uses all the water in the water reservoir.
	Use the strength button to set the coffee strength to 'strong'.
	Use coffee beans of a stronger blend or flavor.
When I use pre-ground coffee, the coffee is too weak.	Make sure that the amount of pre-ground coffee in the filter is consistent with the amount of water in the water reservoir. Please keep in mind that the appliance uses all the water in the water reservoir.
	Use ground coffee of a stronger blend or flavor.
	To increase the coffee strength, increase the amount of pre-ground coffee or decrease the amount of water.
The filter overflows when I remove the jug from the appliance while it is brewing coffee.	If you remove the jug for more than 20 seconds during the brewing process, the drip stop causes the filter basket to overflow. Also note that the coffee does not reach its full taste before the end of the brewing process. Therefore we advise you not to remove the jug and pour out the coffee before the end of the brewing process.
The appliance continues to drip long after the brewing process has ended.	The dripping is caused by condensation of steam. It is completely normal that the appliance drips for some time.
	If the dripping does not stop, the drip stop may be clogged. To clean the drip stop, open the filter basket holder and take out the filter basket. Rinse the filter basket and the drip stop under the tap.
The coffee is not hot enough.	The coffee in the jug cools down faster if you brew only a few cups. The coffee stays hot longer if you brew 10 cups, which is a full jug.
	Descal the appliance (see 'Descaling the coffeemaker').
The appliance does not start cleaning the grinder funnel.	Make sure that the appliance is plugged in.
	Open the lid of the grinder funnel before you press and hold the coffee strength button.
	Press and hold the coffee strength button for 4 seconds until the grinder starts cleaning itself.
The appliance works but makes a beeping sound.	Please check if the lid of the grinder funnel is closed properly.

14 English

The coffee beans seem to be used up quickly.

To brew a perfect cup of coffee, the appliance needs a certain amount of ground coffee. The amount of coffee beans the appliance uses to obtain the optimal amount of ground coffee per cup is normal.

Introduktion

Tillykke med dit køb, og velkommen til Philips! For at få fuldt udbytte af den support, Philips tilbyder, skal du registrere dit produkt på www.philips.com/welcome.

Generel beskrivelse (fig. 1)

- 1 Filterkurv
- 2 Drypstop-funktion
- 3 Holder til filterkurv
- 4 Vandstandsindikator
- 5 Låg til vandtank
- 6 Låg til beholder til bønner
- 7 Knap til formalingsgrad
- 8 Beholder til kaffebønner
- 9 Låg over kværnens tragt
- 10 Lås til låget over kværnens tragt
- 11 Vandpåfyldningshul
- 12 Display
- 13 Ikon for formalet kaffe
- 14 Antal kopper
- 15 Ikon for kaffekop
- 16 Ikon med kaffebønne for valg af kaffestyrke
- 17 Knap til valg af kaffestyrke
- 18 Knap til rengøring af kværn
- 19 Kontrolknap
- 20 On/off-knap
- 21 Låg til glaskande
- 22 Glaskande
- 23 Rengøringsbørste til kaffebønneslisken

Vigtigt

Fare

- Apparatet må aldrig kommes ned i vand eller andre væsker, ej heller skylles under vandhanen.

Advarsel

- Kontrollér, om den angivne netspænding på apparatet svarer til den lokale netspænding, før du slutter strøm til apparatet.
- Brug aldrig apparatet, hvis netstik, netledning eller selve apparatet er beskadiget.
- Hvis netledningen beskadiges, må den kun udskiftes af Philips, et autoriseret Philips-serviceværksted eller en tilsvarende kvalificeret fagmand for at undgå enhver risiko.
- Apparatet skal sluttes til en stikkontakt med jordforbindelse.

- Dette apparat kan bruges af børn fra 8 år og op og personer med nedsatte fysiske, sensoriske eller mentale evner eller manglende viden eller erfaring, hvis de er blevet vejledt eller instrueret i brug af apparatet på en sikker måde, og hvis de forstår de involverede risici. Rengøring og vedligeholdelse må ikke foretages af børn, medmindre de er over 8 år gamle og under opsyn. Hold apparatet og dets ledning uden for rækkevidde af børn under 8 år.
- Lad ikke børn lege med apparatet.
- Brug kun dette apparat til dets tilsigtede formål for at undgå potentielle farer og skader.
- Lad aldrig ledningen hænge ud over kanten af det bord eller den plads, som apparatet står på.
- Undgå at røre ved kværnbladene i apparatet, især når apparatet er tilsluttet en stikkontakt.
- Rør aldrig ved apparatets varme dele under betjening.
- Tøm ikke vandtanken ved at vippe apparatet, da det kan beskadige apparatet. Tøm vandtanken ved at følge vejledningen for gennemskylning af apparatet (se 'Gennemskylning').
- Skulle der opstå problemer, som du ikke kan afhjælpe vha. denne brugervejledning, bedes du kontakte det lokale Philips Kundecenter. Hvis du ikke kan løse problemet, skal du aflevere apparatet hos et autoriseret Philips-serviceværksted. Forsøg ikke at reparere apparatet selv, da din garanti ellers bliver ugyldig.

Forsigtig

- Stil aldrig apparatet på et varmt underlag, og sørg for, at netledningen ikke kommer i berøring med varme flader.
- Placer ikke kaffemaskinen i et skab, når den er i brug.
- Tag stikket ud af stikkontakten, hvis der opstår problemer under formaling eller brygning samt før rengøring af apparatet.
- Både stik og stikkontakt skal holdes tørre.
- Undlad at flytte eller løfte apparatet under brug.
- Kanden er varm under og efter brygningen. Brug altid håndtaget, når du skal løfte kanden.

- Brug aldrig kanden i en mikroovn.
- Læg aldrig apparatet væk, før det er helt afkølet. Varmepladen og kaffekanden kan være varme.
- Efter udpakningen af apparatet skal du kontrollere, at det er helt og ubeskadiget. Hvis du er i tvivl, bør du ikke bruge apparatet men kontakte dit lokale Philips Kundecenter.
- Denne maskine er kun beregnet til normal anvendelse i hjemmet. Den er ikke beregnet til brug i miljøer som f.eks. personalekøkkener i butikker, på kontorer, på gårde eller andre arbejdspladser.

Elektromagnetiske felter (EMF)

Dette Philips-apparat overholder alle branchens gældende standarder og regler angående eksponering for elektromagnetiske felter.

Før apparatet tages i brug

Indstilling af automatisk slukketid

Du kan vælge, hvor længe kaffen skal holdes varm efter brygning ved at indstille den tid, hvor apparatet automatisk skal slukke. Standardindstillingen for automatisk slukketid er 30 minutter. Maksimumindstillingen for automatisk slukketid er 120 minutter. Følg nedenstående trin for at indstille den automatiske slukketid.

- 1 Kontrollér, at apparatet er slukket, og at stikket er sat i stikkontakten.
- 2 Tryk midt på kontrolknappen, indtil displayet begynder at blinke.
- 3 Drej kontrolknappen for at skrue tiden frem eller tilbage. 1 er 10 minutter, 2 er 20 minutter, 3 er 30 minutter op til 12, der er 120 minutter.
- 4 Tryk midt på kontrolknappen for at bekræfte den automatiske slukketid.

Bemærk: Apparatet gemmer altid den sidste indstilling.

Gennemskylning

Husk altid at gennemskylle kaffemaskinen før første brug.

- 1 Åbn låget til vandtanken. Fyld vandtanken med friskt, koldt vand op til markeringen (fig. 2) for 8 kopper.

Bemærk: Kom ikke kaffebønner eller formalet kaffe i vandtanken.

- 2 Luk låget til vandtanken.
- 3 Sæt kanden i apparatet (fig. 3).
- 4 Tryk på on/off-knappen (fig. 5). Displayet lyser, og apparatet bipper.
- 5 Tryk på knappen (fig. 4) til valg af kaffestyrke.
- 6 Drej kontrolknappen for at vælge indstillingen (fig. 6) til formaling af kaffe. Ikonet for formaling af kaffe begynder at blinke.

18 Dansk

- 7 Tryk midt på kontrolknappen for at bekræfte (fig. 7).
- 8 Tryk endnu en gang midt på kontrolknappen. Apparatet går i gang med gennemskyllningen.
- 9 Lad apparatet køre, indtil skylningen er afsluttet. Skylningen er afsluttet, når apparatet stopper med at bippe.
- 10 Tøm kanden.
- 11 Sluk for apparatet ved at trykke på on/off-knappen.

Sådan bruges apparatet

Påfyldning af vandtanken

Der er angivelser for 2 til 10 kopper (275 ml til 1375 ml) på vandstandsrudden. Du kan bruge disse angivelser til at afgøre, hvor meget vand du skal hælde i vandtanken. Reflektionen ændres fra lys til mørk for hver kop vand, der hældes i.

- 1 Åbn låget til vandtanken, og fyld vandtanken med den påkrævede mængde koldt vand (fig. 2).

Bemærk: Fyld aldrig vandtanken til op over mærket for 10 kopper.

Bemærk: Sørg for, at den mængde vand du hælder i vandtanken, svarer til antallet af kopper, du vil brygge. Kaffemaskinen bruger alt vandet i vandtanken.

Brug af kaffebønner

Advarsel: Sørg for, at låget til vandtanken altid er lukket, når du fylder kaffebønner i beholderen til kaffebønner. Ellers er der risiko for, at der falder kaffebønner ned i vandtanken og tilstopper vandindtaget.

- 1 Åbn låget (fig. 8) til kaffebønnebeholderen.
- 2 Fyld kaffebønner i beholderen. Sørg for, at der er nok kaffebønner i beholderen til den mængde kaffe, du vil brygge (fig. 9).

Bemærk: Sørg altid for, at bønnebeholderen er mindst halvt fuld.

Advarsel: Brug ikke uristede eller karamelliserede bønner, det forhindrer, at kværnen låser sig fast. Brug kaffebønner i stedet for espressobønner, idet espressobønner kan beskadige kværnen.

- 3 Åbn holderen til filterkurven (fig. 10).
- 4 Sæt et papirfilter (type 1x4 eller nr. 4) eller det permanente filter i filterkurven (fig. 11).
- 5 Luk holderen til filterkurven.
- 6 Drej på knappen til formalingsgrad for at vælge den ønskede type maling (fra fin til grov). Der er ni formalingsindstillinger (fig. 12).

Tip: Med knappen for formalingsgrad kan du vælge mellem 9 forskellige indstillinger. Ikonerne angiver 3 forudvalgte optimale indstillinger, men du kan også vælge alle indstillinger mellem ikonerne. Vi anbefaler, at du eksperimenterer med de forskellige malingsindstillinger for at finde ud af, hvilken indstilling du foretrækker.

- 7 Tryk på knappen til valg af kaffestyrke (fig. 4). Ikonet for kaffebønner begynder at blinke.
- 8 Drej kontrolknappen for at vælge den ønskede kaffestyrke: 1 bønne for mild kaffe, 2 bønner for kaffe af mediumstyrke eller 3 bønner for stærk kaffe.
- 9 Tryk midt på kontrolknappen for at bekræfte styrken (fig. 7).

10 Du vælger antallet af kopper ved at dreje kontrolknappen, indtil det ønskede antal kopper blinker på displayet (fig. 13).

Bemærk: Husk, at kaffemaskinen bruger alt vandet i vandtanken. Hvis du vælger et antal kopper, der er mindre end vandmængden, vil kaffen blive svagere.

11 Tryk midt på kontrolknappen for at bekræfte antallet af kopper (fig. 7).

12 Tryk endnu en gang midt på kontrolknappen. Kaffemaskinen bipper, og begynder at male den ønskede mængde kaffebønner. Når bønnerne er malet, begynder maskinen at brygge kaffe.

13 Vent, indtil kaffemaskinen er stoppet med at bippe, inden du fjerner kanden.

Bemærk: Efter brygningen drypper der kaffe fra filterkurven i flere sekunder.

14 Apparatet holder kaffen varm, indtil det slukker automatisk. Hvis du ikke har brug for at få kaffen holdt varm, skal du trykke på on/off-knappen for at slukke apparatet.

Brug af formalet kaffe

Hvis du vil bruge formalet kaffe i stedet for kaffebønner, skal du følge nedenstående trin.

1 Åbn låget til vandtanken, og fyld vandtanken med den påkrævede mængde koldt vand (fig. 2).

2 Åbn holderen til filterkurven (fig. 10).

3 Sæt et papirfilter (type 1x4 eller nr. 4) eller det permanente filter i filterkurven.

4 Put formalet kaffe i papirfiltret eller i det permanente filter.

5 Luk holderen til filterkurven.

6 Sæt kanden i apparatet (fig. 3).

7 Tryk på on/off-knappen (fig. 5). Displayet lyser.

8 Tryk på knappen til valg af kaffestyrke (fig. 4).

9 Drej kontrolknappen for at vælge indstillingen til formaling af kaffe (fig. 6). Ikonet for formaling af kaffe lyser.

10 Tryk midt på kontrolknappen for at bekræfte (fig. 7).

11 Tryk derefter midt på kontrolknappen igen for at starte brygningen.

12 Vent, indtil kaffemaskinen er stoppet med at bippe, inden du fjerner kanden.

Bemærk: Efter brygningen drypper der kaffe fra filterkurven i flere sekunder.

13 Apparatet holder kaffen varm, indtil det slukker automatisk. Hvis du ikke har brug for at få kaffen holdt varm, skal du trykke på on/off-knappen for at slukke apparatet.

Drypstop-funktion

Drypstop-funktionen gør det muligt at fjerne kanden fra kaffemaskinen, inden bryggeprocessen er færdig. Når du fjerner kanden, stopper drypstop-funktionen kaffens løb ned i kanden.

Bemærk: Brygningen stopper ikke, når du fjerner kanden. Hvis du ikke stiller kanden tilbage på apparatet inden for 20 sekunder, flyder filterkurven over.

Rengøring og vedligeholdelse

Rengøring efter hver brug

Apparatet må aldrig kommes ned i vand eller andre væsker, ej heller skylles under vandhanen.

20 Dansk

- 1 Tag stikket ud af stikkontakten.
- 2 Tør kaffemaskinens yderside af med en fugtig klud.
- 3 Rengør filterkurven og det permanente filter med varmt vand og lidt opvaskemiddel, eller vask dem i opvaskemaskinen.

Rengøring af kværnens tragt

Vigtigt: Rengør kværnens tragt med én til to ugers mellemrum for at forhindre tilstopning med formalet kaffe. Dette gøres hurtigt og nemt på følgende måde.

Bemærk: Sørg for, at kaffebønnebeholderen er tom, før du starter rengøringen.

- 1 Sluk for apparatet (fig. 14) ved at trykke på on/off-knappen.
- 2 Åbn holderen til filterkurven (fig. 10).
- 3 Sæt et papirfilter (type 1x4 eller nr. 4) eller det permanente filter i filterkurven (fig. 11).
- 4 Luk holderen til filterkurven.
- 5 Brug enden af rengøringsbørsten til kaffebønneslisken til at åbne låget over kværnens tragt (fig. 15) med.
- 6 Tryk på knappen til rengøring af kværnen, og hold den nede i 4 sekunder (fig. 16). Kværnen begynder at rengøre sig selv.
- 7 Når kværnen har stoppet rengøringsprocessen, skal du bruge rengøringsbørsten til kaffebønneslisken til at børste rester af malet kaffe ned i den nederste del af tragten (fig. 17). De maledede kafferester falder ned i filterkurven.
- 8 Luk låget over kværnens tragt.
- 9 Fjern papirfilteret eller det permanente filter med de maledede kafferester.

Afkalkning af kaffemaskine

Afkalk kaffemaskinen, hvis der dannes meget damp, eller hvis bryggetiden øges. Det anbefales at afkalke kaffemaskinen hver anden måned. Brug kun hvid eddike til afkalkning, da andre produkter kan beskadige kaffemaskinen. Du kan finde flere oplysninger om afkalkning på www.philips.com/descale-coffeemaker.

Advarsel: Brug aldrig eddike med et indhold af eddikesyre på 8 % eller mere, naturlig vineddike eller afkalkningsmidler i pulver eller tablettform til at afkalke apparatet, da dette kan medføre skader.

- 1 Åbn låget til vandtanken.
- 2 Fyld vandtanken op til markeringen for 10 kopper med hvid eddike (4 % eddikesyre).
- 3 Sæt et papirfilter (type 1x4 eller nr. 4) eller det permanente filter i filterkurven, og luk holderen til filterkurven.
- 4 Sæt den tomme kande i apparatet.
- 5 Sæt stikket i en stikkontakt.
- 6 Tænd apparatet (fig. 5) ved at trykke på on/off-knappen. Displayet lyser.
- 7 Tryk på knappen til valg af kaffestyrke, og drej kontrolknappen for at vælge indstillingen (fig. 6) til formaling af kaffe.
- 8 Tryk midt på kontrolknappen for at bekræfte (fig. 7).
- 9 Tryk midt på kontrolknappen igen for at starte brygningen.
- 10 Vent, indtil halvdelen af eddiken er løbet ned i kanden. Tryk derefter på on/off-knappen for at afbryde brygningen. Lad eddiken virke i mindst 15 minutter.
- 11 Tryk på tænd/sluk-knappen for at tænde for kaffemaskinen igen.

- 12** Tryk to gange midt på kontrolknappen for at lade apparatet gennemføre brygningen (fig. 18).
- 13** Tøm kanden, og fjern papirfilteret eller det permanente filter med kalkrester.
- 14** Fyld vandtanken med friskt, koldt vand, og tryk to gange midt på kontrolknappen for at lade apparatet gennemføre endnu en brygning (fig. 18). Lad kaffemaskinen gennemføre hele brygningen, og tøm derefter kanden.

Bemærk: Hvis det er nødvendigt, skal du gentage trin 14, indtil det vand, der kommer ud af apparatet, ikke længere smager eller lugter af eddike.

- 15** Rengør filterkurven og kanden med varmt vand og noget opvaskemiddel.
- 16** Tryk på tænd/sluk-knappen foran på apparatet for at slukke for apparatet (fig. 14).

Reklamerationsret og support

Hvis du har brug for hjælp eller support, bedes du besøge www.philips.com/support eller læse i folderen om international garanti.

Bestilling af tilbehør

Du kan købe tilbehør og reservedele på www.shop.philips.com/service eller hos din Philips-forhandler. Du kan også kontakte det lokale Philips-kundecenter (du kan finde kontaktoplysninger i folderen "World-Wide Guarantee").

Genanvendelse

- Dette symbol betyder, at dette produkt ikke må bortskaffes sammen med almindeligt husholdningsaffald (2012/19/EU) (fig. 19).
- Følg den nationale lovgivning om særskilt indsamling af elektriske og elektroniske produkter. Korrekt bortskaffelse er med til at forhindre negativ påvirkning af miljøet og menneskers helbred.

Fejlfinding

Dette afsnit opsummerer de mest almindelige problemer, der kan forekomme ved brug af apparatet. Har du brug for yderligere hjælp og vejledning, så besøg www.philips.com/support for at se en liste med ofte stillede spørgsmål, eller kontakt dit lokale Philips Kundecenter.

Problem	Løsning
Apparatet fungerer ikke.	Sæt stikket i stikkontakten, og tryk på tænd/sluk-knappen for at tænde for apparatet.
	Kontrollér, om den angivne netspænding på apparatet svarer til den lokale netspænding.
	Fyld vandtanken med vand.
	Luk låget over kværnens tragt.
Kværnen fungerer ikke korrekt.	Kontrollér, at du ikke har valgt formalet kaffe. Hvis symbolet for formalet kaffe vises på displayet, har du valgt formalet kaffe.
	Rengør kværnens tragt ved at følge vejledningen (se 'Rengøring af kværnens tragt').

22 Dansk

Når jeg bruger kværnen, smager kaffen for svagt.	Sørg for, at det antal kopper, du har valgt, passer med mængden af vand i vandtanken. Husk, at kaffemaskinen bruger alt vandet i vandtanken.
	Brug knappen til valg af kaffestyrke til at indstille kaffens styrke til "strong" (stærk).
	Brug kaffebønner med en stærkere blanding eller smag.
Når jeg bruger formalet kaffe, er kaffens styrke for svag.	Sørg for, at mængden af formalet kaffe i filteret, passer med mængden af vand i vandtanken. Husk, at kaffemaskinen bruger alt vandet i vandtanken.
	Brug malet kaffe med en stærkere blanding eller smag.
	For at øge kaffens styrke, skal du øge mængden af formalet kaffe eller reducere mængden af vand.
Filteret flyder over, når jeg fjerner kanden fra apparatet, mens det brygger kaffe.	Hvis du fjerner kanden i mere end 20 sekunder under brygningen, får drypstoppet filterkurven til at løbe over. Du skal også være opmærksom på, at kaffen først opnår sin fulde smag ved afslutningen af brygningen. Vi anbefaler derfor, at du ikke tager kanden ud og skænker kaffen op, inden brygningen er helt færdig.
Apparatet fortsætter med at dryppe et stykke tid efter endt brygning.	Dråbedannelsen skyldes kondensering af damp. Det er helt normalt, at apparatet drypper et stykke tid.
	Hvis apparatet ikke stopper med at dryppe, kan drypstop-funktionen være tilstoppet. Rengør drypstoppet ved at åbne holderen til filterkurven, og tag filterkurven ud. Skyl filterkurv og drypstop under vandhanen.
Kaffen er ikke tilstrækkelig varm.	Kaffen i kanden bliver hurtigere kold, hvis du kun brygger få kopper kaffe. Kaffen holder sig varm i længere tid, hvis du brygger 10 kopper, der svarer til en fuld kande.
	Afkalk apparatet (se 'Afkalkning af kaffemaskine').
Apparatet starter ikke rengøring af kværnens tragt.	Kontrollér, at stikket er sat i stikkontakten.
	Åbn låget til kværnens tragt, inden du holder knappen for kaffestyrke nede.
	Tryk og hold knappen til valg af kaffestyrke nede i 4 sekunder, indtil kværnen begynder at rengøre sig selv.
Apparatet virker, men udsender en biplyd.	Kontrollér, om låget til kværnens tragt er lukket ordentligt.
Det lader til, at kaffebønnerne hurtigt er brugt op.	For at kunne brygge en perfekt kop kaffe skal kaffemaskinen påfyldes en vis mængde formalet kaffe. Den mængde kaffebønner, som kaffemaskinen skal bruge for at kunne opnå en optimal mængde malet kaffe pr. kop er normal.

Introducción

Enhorabuena por la adquisición de este producto, y bienvenido a Philips Para sacar el mayor partido a la asistencia que Philips le ofrece, registre el producto en www.philips.com/welcome.

Descripción general (fig. 1)

- 1 Cesta del filtro
- 2 Antigoteo
- 3 Soporte de la cesta del filtro
- 4 Indicador de nivel de agua
- 5 Tapa del depósito de agua
- 6 Tapa del contenedor de granos
- 7 Botón de grado
- 8 Contenedor de granos de café
- 9 Tapa de la tolva del molinillo
- 10 Cierre de la tapa de la tolva del molinillo
- 11 Entrada de agua
- 12 Pantalla
- 13 Icono de café molido
- 14 Número de tazas
- 15 Icono de taza de café
- 16 Icono de selección de intensidad de los granos de café
- 17 Botón de selección de intensidad
- 18 Botón de limpieza del molinillo
- 19 Rueda de control
- 20 Botón de encendido/apagado
- 21 Tapa de la jarra de cristal
- 22 Jarra de cristal
- 23 Cepillo de la tolva de granos de café

Importante

Peligro

- No sumerja nunca el aparato en agua u otros líquidos, ni lo enjuague bajo el grifo.

Advertencia

- Antes de enchufar el aparato, compruebe si el voltaje indicado en el mismo se corresponde con el voltaje de red local.
- No utilice el aparato si la clavija, el cable de alimentación o el propio aparato están dañados.
- Si el cable de alimentación está dañado, debe ser sustituido por Philips o por un centro de servicio autorizado por Philips con el fin de evitar situaciones de peligro.
- Conecte el aparato a un enchufe de pared con toma de tierra.

- Este aparato puede ser usado por niños a partir de 8 años y por personas con su capacidad física, psíquica o sensorial reducida y por quienes no tengan los conocimientos y la experiencia necesarios, si han sido supervisados o instruidos acerca del uso del aparato de forma segura y siempre que sepan los riesgos que conlleva su uso. Los niños no deben limpiar el aparato ni realizar tareas de mantenimiento a menos que sean mayores de 8 años y cuenten con supervisión. Mantenga el aparato y el cable fuera del alcance de los niños menores de 8 años.
- No permita que los niños jueguen con el aparato.
- Utilice este aparato exclusivamente para la finalidad a la que está destinado a fin de evitar posibles riesgos o lesiones.
- No deje que el cable de red cuelgue del borde de la mesa o encimera donde esté colocado el aparato.
- No toque el mecanismo de molido del aparato, especialmente cuando este esté conectado a una toma de corriente.
- No toque las superficies calientes del aparato cuando éste esté en funcionamiento.
- No vacíe el depósito de agua del aparato inclinándolo, ya que esto puede dañar el aparato. Para vaciar el aparato, siga las instrucciones de limpieza (consulte 'Limpieza del aparato antes de usarlo').
- Si se produce algún problema que no pueda resolver con la ayuda de este manual de usuario, póngase en contacto con el Servicio de Atención al Cliente de su país. Si el problema no se pudiera solucionar, lleve el aparato a un centro de servicio autorizado por Philips para su revisión o reparación. No intente repararlo usted mismo; de lo contrario, la garantía quedaría anulada.

Precaución

- No coloque el aparato sobre superficies calientes y evite que el cable entre en contacto con superficies calientes.
- No coloque la cafetera en un cuarto de baño durante el uso.

- Desenchufe el aparato antes de limpiarlo, así como si se produce algún problema durante el molido o la preparación de café.
- Mantenga secos el enchufe y la toma de corriente.
- No levante ni mueva el aparato mientras esté en funcionamiento.
- La jarra está caliente mientras se prepara el café y tras su preparación. Sujete siempre la jarra por el asa.
- No utilice nunca la jarra en un horno microondas.
- Espere a que se enfríe el aparato antes de guardarlo. La placa caliente y la jarra de café podrían estar calientes.
- Cuando haya desembalado el aparato, asegúrese de que no le falte ninguna pieza y no presente desperfectos. En caso de duda, no lo utilice y póngase en contacto con el Servicio de Atención al Cliente de su país.
- Este aparato está diseñado únicamente para un uso doméstico normal. No se ha diseñado para usarlo en entornos como cocinas para empleados de tiendas, oficinas, granjas u otros entornos laborales.

Campos electromagnéticos (CEM)

Este Philips cumple los estándares y las normativas aplicables sobre exposición a campos electromagnéticos.

Antes de utilizarlo por primera vez

Configuración del tiempo de apagado automático

Puede elegir durante cuánto tiempo desea que el café se mantenga caliente después de su preparación configurando el periodo tras el cual el aparato se apagará automáticamente. El tiempo de apagado automático predeterminado es de 30 minutos. El tiempo de apagado automático máximo es de 120 minutos. Para ajustar el tiempo de apagado automático, siga los pasos que se indican a continuación.

- 1 Asegúrese de que el aparato esté apagado, pero que esté enchufado a la toma de corriente.
- 2 Pulse el centro del botón de control hasta que la pantalla empiece a parpadear.
- 3 Gire la rueda de control para aumentar o disminuir el tiempo. 1 equivale a 10 minutos; 2 a 20 minutos, 3 a 30 minutos y así sucesivamente hasta 12, que equivale a 120 minutos.
- 4 Pulse el centro del botón de control para confirmar el tiempo de apagado automático.

Nota: El aparato guarda siempre el último parámetro.

Limpieza del aparato antes de usarlo

Limpie siempre la cafetera antes del primer uso.

- 1 Abra la tapa del depósito de agua. Llene el depósito con agua fría hasta la indicación de ocho tazas (Fig. 2).

Nota: No meta café molido ni granos de café en el depósito de agua.

- 2 Cierre la tapa del depósito de agua.
- 3 Coloque la jarra en el aparato (Fig. 3).
- 4 Pulse el botón (Fig. 5) de encendido/apagado. La pantalla se ilumina y el aparato emite un pitido.
- 5 Pulse el botón de selección de intensidad (Fig. 4).
- 6 Gire la rueda de control para seleccionar el ajuste de café molido (Fig. 6). El icono de café molido empezará a parpadear.
- 7 Pulse el centro del botón de control para confirmar (Fig. 7).
- 8 Pulse otra vez el centro de la rueda de control. El aparato empezará el proceso de limpieza.
- 9 Deje el aparato funcionando hasta que termine el proceso de limpieza. Terminará cuando el aparato deje de pitar.
- 10 Vacíe la jarra.
- 11 Pulse el botón de encendido/apagado para apagar el aparato.

Uso del aparato

Llenado del depósito de agua

Hay indicadores para de dos a 10 tazas (275 ml a 1375 ml) en la ventana de nivel de agua. Puede utilizar estos indicadores para determinar hasta qué punto debe llenar el depósito de agua. El reflejo cambia de claro a oscuro para cada taza de agua que añada.

- 1 Abra la tapa del depósito de agua y llénelo con la cantidad necesaria de agua fría (Fig. 2).

Nota: No llene el depósito de agua más allá del indicador de diez tazas.

Nota: Asegúrese de que la cantidad de agua que vierta en el depósito se corresponda con el número de tazas que desea preparar. La cafetera utiliza toda el agua del depósito.

Uso de los granos de café

Advertencia: Mantenga cerrada la tapa del depósito de agua en todo momento cuando llene el contenedor de granos de café. De lo contrario, podrían caer granos de café en el depósito de agua y bloquear la entrada.

- 1 Abra la tapa del contenedor de granos de café (Fig. 8).
- 2 Llene el contenedor de granos de café. Asegúrese de que haya suficientes granos de café en el contenedor para la cantidad de café que desea preparar (Fig. 9).

Nota: Asegúrese siempre de que el contenedor de granos de café esté por lo menos medio lleno.

Advertencia: Para evitar que el molinillo se atasque, no use granos caramelizados ni sin tostar. Utilice granos de café en vez de café expreso en granos, ya que los granos de café expreso podrían dañar el molinillo.

- 3 Abra el soporte de la cesta del filtro (Fig. 10).
- 4 Coloque un filtro de papel (tipo 1 x 4 o del n.º 4) o el filtro permanente en la cesta del filtro (Fig. 11).

- 5 Cierre el soporte de la cesta del filtro.
- 6 Gire el botón de grado para seleccionar, de fino a grueso, el tipo de molido deseado. Hay nueve ajustes de molido (Fig. 12).

Consejo: El botón de grado le permite elegir entre nueve posiciones distintas. Los iconos indican tres ajustes óptimos preseleccionados, pero puede elegir cualquier posición intermedia. Le aconsejamos que experimente con los distintos ajustes de molido para descubrir el que prefiere.

- 7 Pulse el botón de selección de intensidad (Fig. 4). Los iconos de los granos de café empezarán a parpadear.
- 8 Gire la rueda de control para seleccionar la intensidad que desea para el café: Un grano para un café suave, dos granos para una intensidad media-alta o tres granos para un café fuerte.
- 9 Pulse el centro del botón de control para confirmar la intensidad (Fig. 7).
- 10 Para seleccionar el número de tazas, gire la rueda de control hasta que el número deseado parpadee en la pantalla (Fig. 13).

Nota: Tenga en cuenta que la cafetera utiliza toda el agua del depósito. Si selecciona un número de tazas inferior a la cantidad de agua, el café será menos intenso de lo previsto.

- 11 Pulse el centro del botón de control para confirmar el número de tazas (Fig. 7).
- 12 Pulse otra vez el centro de la rueda de control. El aparato pitará y empezará a moler la cantidad necesaria de granos de café. Una vez terminada la molienda, el aparato empezará a preparar el café.
- 13 Espere a que la cafetera haya dejado de pitar antes de retirar la jarra.

Nota: Tras su preparación, el café goteará desde la cesta del filtro durante varios segundos.

- 14 El aparato mantendrá el café caliente hasta que se apague automáticamente. Si no necesita que el café se mantenga caliente, pulse el botón de encendido/apagado para apagar el aparato.

Uso de café molido previamente

Si desea usar café molido en vez de granos de café, siga los siguientes pasos.

- 1 Abra la tapa del depósito de agua y llénelo con la cantidad necesaria de agua fría (Fig. 2).
- 2 Abra el soporte de la cesta del filtro (Fig. 10).
- 3 Coloque un filtro de papel (tipo 1 x 4 o del n.º 4) o el filtro permanente en la cesta del filtro.
- 4 Coloque café molido en el filtro de papel o en el filtro permanente.
- 5 Cierre el soporte de la cesta del filtro.
- 6 Coloque la jarra en el aparato (Fig. 3).
- 7 Pulse el botón de encendido/apagado (Fig. 5). La pantalla se ilumina.
- 8 Pulse el botón de selección de intensidad (Fig. 4).
- 9 Gire la rueda de control para seleccionar el ajuste de café molido (Fig. 6). El icono de café molido se iluminará.
- 10 Pulse el centro del botón de control para confirmar (Fig. 7).
- 11 Acto seguido, pulse otra vez el centro de la rueda de control para iniciar el proceso de preparación del café.
- 12 Espere a que la cafetera haya dejado de pitar antes de retirar la jarra.

Nota: Tras su preparación, el café goteará desde la cesta del filtro durante varios segundos.

- 13 El aparato mantendrá el café caliente hasta que se apague automáticamente. Si no necesita que el café se mantenga caliente, pulse el botón de encendido/apagado para apagar el aparato.

Función antigoteo

La función antigoteo le permite retirar la jarra de la cafetera antes de que finalice el proceso de preparación del café. Cuando retira la jarra, la función antigoteo detiene la salida de café en la jarra.

Nota: El proceso de preparación del café no se detiene cuando retira la jarra. Si no vuelve a colocar la jarra en el aparato a los 20 segundos, la cesta del filtro rebotará.

Limpieza y mantenimiento

Limpieza después de cada uso

No sumerja nunca el aparato en agua u otros líquidos, ni lo enjuague bajo el grifo.

- 1 Desenchufe el aparato de la toma de corriente.
- 2 Limpie la parte exterior de la cafetera con un paño húmedo.
- 3 Limpie la cesta del filtro y el filtro permanente con agua caliente y algo de detergente líquido o lávelos en el lavavajillas.

Limpieza de la tolva del molinillo

Importante: Limpie la tolva del molinillo cada semana o cada dos semanas para evitar que se atasque con café molido. Para ello, basta con seguir los pasos rápidos y sencillos que se indican a continuación.

Nota: Asegúrese de que el contenedor de granos de café está vacío antes de comenzar con el procedimiento de limpieza.

- 1 Pulse el botón de encendido/apagado para apagar el aparato (Fig. 14).
- 2 Abra el soporte de la cesta del filtro (Fig. 10).
- 3 Coloque un filtro de papel (tipo 1 × 4 o del n.º 4) o el filtro permanente en la cesta del filtro (Fig. 11).
- 4 Cierre el soporte de la cesta del filtro.
- 5 Utilice el extremo del cepillo de la tolva de granos de café para abrir la tapa de la tolva molinillo (Fig. 15).
- 6 Mantenga pulsado el botón de limpieza del molinillo durante cuatro segundos (Fig. 16). El molinillo comienza a limpiarse.
- 7 Cuando el molinillo termine de limpiarse, utilice el cepillo de la tolva de granos de café para eliminar los restos de café molido de la parte inferior de la tolva (Fig. 17). Los restos de café molido caerán en la cesta del filtro.
- 8 Cierre la tapa de la tolva del molinillo.
- 9 Quite el filtro de papel o el filtro permanente con los restos de café molido.

Eliminación de los depósitos de cal de la cafetera

Elimine los depósitos de cal de la cafetera si observa que emite demasiado vapor o si aumenta el tiempo de preparación del café. Es aconsejable eliminar los depósitos de cal de la cafetera cada dos meses. Utilice solo vinagre blanco para eliminar los depósitos de cal, ya que otros productos podrían dañar la cafetera. Para obtener más información sobre la eliminación de depósitos de cal, consulte www.philips.com/descale-coffeemaker.

Advertencia: No utilice nunca vinagre con un 8% de ácido acético o más, vinagre natural, desincrustantes en polvo o en tabletas para eliminar la cal del aparato, ya que podría dañarlo.

- 1 Abra la tapa del depósito de agua.
- 2 Llene el depósito de agua con vinagre blanco (4 % de ácido acético) hasta la indicación de 10 tazas.
- 3 Coloque un filtro de papel (tipo 1 × 4 o del n.º 4) o el filtro permanente en la cesta del filtro y cierre el soporte de la cesta del filtro.
- 4 Coloque la jarra vacía en el aparato.
- 5 Enchufe la clavija de red a la toma de corriente.
- 6 Pulse el botón de encendido/apagado para encender el aparato (Fig. 5). La pantalla se ilumina.
- 7 Pulse el botón de selección de intensidad y gire la rueda de control para elegir el ajuste de café molido (Fig. 6).
- 8 Pulse el centro del botón de control para confirmar (Fig. 7).
- 9 Pulse otra vez el centro de la rueda de control para iniciar el proceso de preparación del café.
- 10 Espere a que la mitad del vinagre haya fluido hacia la jarra. Luego, pulse el botón de encendido/apagado para interrumpir el proceso de preparación del café. Deje que el vinagre actúe durante al menos 15 minutos.
- 11 Pulse el botón de encendido/apagado para volver a encender la cafetera.
- 12 Pulse el centro del botón de control dos veces para que el aparato complete el proceso de preparación (Fig. 18).
- 13 Vacíe la jarra y quite el filtro de papel o el filtro permanente con los residuos de cal.
- 14 Llene el depósito de agua con agua fría y pulse el centro del botón de control dos veces para comenzar otro proceso de preparación (Fig. 18). Deje que la cafetera termine el proceso de preparación del café y vacíe la jarra.

Nota: Si es necesario, repita el paso 14 hasta que el agua que sale del aparato ya no sepa ni huelga a vinagre.

- 15 Limpie la cesta del filtro y la jarra con agua caliente y algo de detergente líquido.
- 16 Pulse el botón de encendido/apagado de la parte delantera del aparato para apagarlo (Fig. 14).

Garantía y asistencia

Si necesita asistencia o información, visite www.philips.com/support o lea el folleto de garantía internacional.

Solicitud de accesorios

Para comprar accesorios o piezas de repuesto, visite www.shop.philips.com/service o acuda a su distribuidor de Philips. También puede ponerse en contacto con el Servicio de Atención al Cliente de Philips en su país (consulte los datos de contacto en el folleto de la garantía mundial).

Reciclaje

- Este símbolo significa que este producto no debe desecharse con la basura normal del hogar (2012/19/UE) (Fig. 19).
- Siga la normativa de su país para la recogida selectiva de productos eléctricos y electrónicos. El desecho correcto ayuda a evitar consecuencias negativas para el medio ambiente y la salud humana.

Resolución de problemas

En este capítulo se resumen los problemas más comunes que pueden surgir al usar el aparato. Si no puede resolver el problema con la siguiente información, visite www.philips.com/support para consultar una lista de preguntas frecuentes o comuníquese con el servicio de atención al cliente en su país.

Problema	Solución
El aparato no funciona.	Conecte el enchufe a la toma de corriente y pulse el botón de encendido/apagado para encender el aparato.
	Compruebe que el voltaje indicado en el aparato se corresponde con el voltaje de red local.
	Llene el depósito de agua.
	Cierre la tapa de la tolva del molinillo.
El molinillo no funciona o no funciona correctamente.	Compruebe que no haya seleccionado café molido. Si se ve el símbolo de café molido en la pantalla, significa que ha seleccionado café molido.
	Limpie la tolva del molinillo según las instrucciones (consulte 'Limpieza de la tolva del molinillo').
Cuando utilizo el molinillo, el café es demasiado flojo.	Asegúrese de que el número de tazas que haya seleccionado se corresponda con la cantidad de agua del depósito. Tenga en cuenta que la cafetera utiliza toda el agua del depósito.
	Utilice el botón de intensidad para seleccionar la intensidad de café 'strong' (intenso).
	Utilice granos de café de una mezcla o sabor más fuertes.
Cuando utilizo café molido previamente, el café es demasiado flojo.	Asegúrese de que la cantidad de café molido del filtro se corresponda con la cantidad de agua del depósito. Tenga en cuenta que el aparato utiliza toda el agua del depósito.
	Utilice café molido de una mezcla o un sabor más intensos.
	Para aumentar la intensidad de café, aumente la cantidad de café molido o disminuya la cantidad de agua.
El café rebosa por el filtro cuando retiro la jarra del aparato mientras se está preparando el café.	Si retira la jarra durante más de 20 segundos durante el proceso de preparación del café, la función antigoteo hará que la cesta del filtro rebosa. Asimismo, tenga cuenta que el café no adquirirá todo su sabor hasta que el proceso de preparación no haya concluido. Por lo tanto, es recomendable que no retire la jarra y sirva el café hasta que el proceso de preparación no haya concluido.
El aparato seguirá goteando durante bastante tiempo después de finalizar el proceso de preparación del café.	El goteo se debe a la condensación del vapor. Es completamente normal que el aparato gotee durante un rato.

Si el goteo no cesa, el sistema antigoteo podría estar obstruido. Para limpiar el sistema antigoteo, abra el soporte de la cesta del filtro y extraiga la cesta. Enjuague la cesta del filtro y el sistema antigoteo bajo el grifo.

El café no está lo suficientemente caliente.

El café de la jarra se enfría más rápido si prepara solo unas pocas tazas. El café se mantendrá caliente durante más tiempo si prepara 10 tazas (es decir, una jarra entera).

Elimine los depósitos de cal del aparato (consulte 'Eliminación de los depósitos de cal de la cafetera').

El aparato no inicia la limpieza de la tolva del molinillo.

Compruebe que el aparato está enchufado.

Abra la tapa de la tolva del molinillo y luego mantenga pulsado el botón de selección de intensidad del café.

Mantenga pulsado el botón de selección de intensidad del café durante cuatro segundos hasta que el molinillo empiece a limpiarse.

El aparato funciona, pero emite un pitido.

Compruebe si la tapa de la tolva de la picadora está correctamente cerrada.

Los granos de café se consumen con demasiada rapidez.

Para preparar una taza de café perfecta, el aparato necesita una cantidad determinada de café molido. La cantidad de granos de café que utiliza el aparato para obtener la cantidad óptima de café molido por taza es normal.

Introduction

Félicitations pour votre achat et bienvenue dans l'univers Philips ! Pour profiter pleinement de l'assistance offerte par Philips, enregistrez votre produit à l'adresse suivante :

www.philips.com/welcome.

Description générale (fig. 1)

- 1 Porte-filtre
- 2 Système stop-goutte
- 3 Support pour porte-filtre
- 4 Indicateur de niveau d'eau
- 5 Couvercle du réservoir d'eau
- 6 Couvercle du bac à grains de café
- 7 Sélecteur de mouture
- 8 Bac à grains
- 9 Couvercle de l'entonnoir du moulin
- 10 Verrou du couvercle de l'entonnoir du moulin
- 11 Orifice de remplissage d'eau
- 12 Afficheur
- 13 Icône de mouture du café
- 14 Nombre de tasses
- 15 Icône de tasse à café
- 16 Icône de sélection de l'intensité
- 17 Bouton de sélection de l'intensité
- 18 Bouton de nettoyage du moulin
- 19 Bouton de commande
- 20 Bouton marche/arrêt
- 21 Couvercle de la verseuse en verre
- 22 Verseuse en verre
- 23 Brosse de nettoyage du bac à grains

Important

Danger

- Ne plongez jamais l'appareil dans l'eau, ni dans d'autres liquides et ne le rincez pas sous le robinet.

Avertissement

- Avant de brancher l'appareil, vérifiez que la tension indiquée sur l'appareil correspond à la tension supportée par le secteur local.
- N'utilisez jamais l'appareil si la prise, le cordon d'alimentation ou l'appareil lui-même est endommagé.
- Si le cordon d'alimentation est endommagé, il doit être remplacé par Philips, par un Centre Service Agréé Philips ou par un technicien qualifié afin d'éviter tout accident.

- Branchez l'appareil sur une prise murale mise à la terre.
- Cet appareil peut être utilisé par des enfants âgés de 8 ans ou plus, des personnes dont les capacités physiques, sensorielles ou intellectuelles sont réduites ou des personnes manquant d'expérience et de connaissances, à condition que ces enfants ou personnes soient sous surveillance ou qu'ils aient reçu des instructions quant à l'utilisation sécurisée de l'appareil et qu'ils aient pris connaissance des dangers encourus. Le nettoyage et l'entretien ne peuvent pas être réalisés par des enfants sauf s'ils sont âgés de plus de 8 ans et sous surveillance. Tenez l'appareil et son cordon hors de portée des enfants de moins de 8 ans.
- Les enfants ne doivent pas jouer avec l'appareil.
- Pour éviter tout risque ou blessure, n'utilisez pas cet appareil à d'autres fins que celles pour lesquelles il a été conçu.
- Ne laissez pas le cordon pendre de la table ou du plan de travail sur lequel l'appareil est posé.
- Ne touchez pas aux meules de l'appareil, surtout lorsque ce dernier est branché.
- Ne touchez pas les surfaces chaudes de l'appareil pendant son fonctionnement.
- Ne videz pas le réservoir d'eau en inclinant l'appareil, vous risqueriez d'endommager ce dernier. Pour vider l'appareil, suivez les instructions de rinçage (voir 'Rinçage de l'appareil').
- Si vous ne parvenez pas à résoudre un problème à l'aide de ce mode d'emploi, contactez le Service Consommateurs Philips de votre pays. Si le problème persiste, confiez votre appareil à un Centre Service Agréé Philips pour vérification ou réparation. N'essayez jamais de réparer l'appareil vous-même, toute intervention entraîne l'annulation de votre garantie.

Attention

- Ne posez jamais l'appareil sur une surface chaude et veillez à ce que le cordon d'alimentation ne soit pas en contact avec des surfaces chaudes.

- Ne placez pas la cafetière dans une armoire pendant son utilisation.
- Débranchez toujours l'appareil en cas de problème lors de son fonctionnement et avant de le nettoyer.
- Ne mouillez pas le cordon d'alimentation et la prise secteur.
- Ne soulevez pas et ne déplacez pas l'appareil en cours d'utilisation.
- La verseuse devient très chaude pendant et après la préparation du café Tenez-la toujours par la poignée.
- Ne mettez jamais la verseuse au four à micro-ondes.
- Attendez que l'appareil ait refroidi avant de le ranger. La plaque chauffante et la verseuse risquent d'être encore brûlantes.
- Une fois l'appareil déballé, vérifiez qu'il n'est pas endommagé et qu'il ne manque aucune pièce. En cas de doute, n'utilisez pas l'appareil et contactez le Service Consommateurs Philips de votre pays.
- Cette machine est uniquement destinée à un usage domestique normal. Elle ne peut être utilisée dans des environnements tels que des cuisines réservées aux employés dans les entreprises, magasins, fermes et autres environnements de travail.

Champs électromagnétiques (CEM)

Cet appareil Philips est conforme à toutes les normes et à tous les règlements applicables relatifs à l'exposition aux champs électromagnétiques.

Avant la première utilisation

Réglage de la durée avant arrêt automatique

Vous pouvez choisir la durée pendant laquelle vous souhaitez que votre appareil reste allumé afin de garder votre café chaud après sa préparation. La durée par défaut avant arrêt automatique est de 30 minutes. La durée maximale avant arrêt automatique est de 120 minutes. Pour régler la durée avant arrêt automatique, suivez les instructions ci-dessous.

- 1 Assurez-vous que l'appareil est éteint, mais que le cordon d'alimentation est branché sur la prise murale.
- 2 Appuyez au centre du bouton de commande jusqu'à ce que l'afficheur commence à clignoter.
- 3 Tournez le bouton de commande pour augmenter ou diminuer la durée. 1 correspond à 10 minutes, 2 correspond à 20 minutes, 3 correspond à 30 minutes, et ainsi de suite jusqu'à 12, qui correspond à 120 minutes.

- 4 Appuyez au centre du bouton de commande pour confirmer la durée avant arrêt automatique.

Remarque : L'appareil enregistre toujours le dernier réglage sélectionné.

Rinçage de l'appareil

Rincez toujours la cafetière avant sa première utilisation.

- 1 Ouvrez le couvercle du réservoir d'eau. Remplissez le réservoir avec de l'eau froide, jusqu'à l'indication correspondant à 8 tasses (Fig. 2).

Remarque : Ne versez pas de café moulu ni de grains de café dans le réservoir d'eau.

- 2 Fermez le couvercle du réservoir d'eau.
 3 Placez la verseuse dans l'appareil (Fig. 3).
 4 Appuyez sur le bouton marche/arrêt (Fig. 5). L'afficheur s'allume et l'appareil émet un signal sonore.
 5 Appuyez sur le bouton de sélection de l'intensité (Fig. 4).
 6 Tournez le bouton de commande pour choisir le niveau de mouture (Fig. 6). L'icône de mouture du café commence à clignoter.
 7 Appuyez au centre du bouton de commande pour confirmer (Fig. 7).
 8 Appuyez à nouveau au centre du bouton de commande. L'appareil commence le processus de rinçage.
 9 Laissez l'appareil fonctionner jusqu'à ce que le processus de rinçage soit terminé. Il est terminé lorsque l'appareil cesse d'émettre le signal sonore.
 10 Videz la verseuse.
 11 Éteignez l'appareil en appuyant sur le bouton marche/arrêt.

Utilisation de l'appareil

Remplissage du réservoir d'eau

Vous trouverez sur l'indicateur du niveau d'eau des indications de quantité pour préparer entre 2 et 10 tasses (de 27,5 cl à 137,5 cl). Vous pouvez les utiliser pour déterminer la quantité d'eau à mettre dans le réservoir. Le reflet passe de clair à foncé par tasse d'eau ajoutée.

- 1 Ouvrez le couvercle du réservoir d'eau et remplissez le réservoir avec la quantité d'eau froide requise (Fig. 2).

Remarque : Ne remplissez pas le réservoir d'eau au-delà de l'indication correspondant à 10 tasses.

Remarque : Assurez-vous que la quantité d'eau que vous avez versée dans le réservoir d'eau correspond au nombre de tasses que vous voulez préparer. La cafetière utilise toute l'eau du réservoir d'eau.

Utilisation avec des grains de café

Avertissement : Veillez à ce que le couvercle du réservoir d'eau soit toujours fermé lorsque vous remplissez le bac à grains. Dans le cas contraire, les grains de café risquent de tomber dans le réservoir d'eau et de bloquer l'orifice de remplissage.

- 1 Ouvrez le couvercle du bac à grains de café (Fig. 8).
 2 Remplissez le bac de grains de café. Assurez-vous que le bac contient assez de grains pour la quantité de café que vous voulez préparer (Fig. 9).

Remarque : Vérifiez à chaque utilisation que le bac à grains est au moins à moitié rempli.

Avertissement : N'utilisez pas de grains de café caramélisés ou non torréfiés, cela risquerait d'entraver le bon fonctionnement du moulin. Utilisez des grains de café au lieu de grains de café expresso, car ces derniers risquent d'endommager le moulin à café.

- 3 Ouvrez le support pour porte-filtre (Fig. 10).
- 4 Placez un filtre en papier (1x4 ou n° 4) ou le filtre permanent dans le porte-filtre (Fig. 11).
- 5 Fermez le support du porte-filtre.
- 6 Tournez le sélecteur de mouture pour sélectionner le type de mouture souhaité (de fin à épais). L'appareil propose neuf niveaux de moutures (Fig. 12).

Conseil : Le sélecteur de mouture vous permet de choisir entre neuf moutures différentes. Les icônes indiquent les trois moutures optimales, mais vous pouvez choisir une mouture intermédiaire. Nous vous conseillons d'essayer différents niveaux de mouture pour trouver celui que vous préférez.

- 7 Appuyez sur le bouton de sélection de l'intensité (Fig. 4). Les icônes de grain de café commencent à clignoter.
- 8 Tournez le bouton de commande pour sélectionner l'intensité du café souhaitée : 1 grain pour du café doux, 2 grains pour du café moyennement fort ou 3 grains pour du café fort.
- 9 Appuyez au centre du bouton de commande pour confirmer l'intensité (Fig. 7).
- 10 Pour sélectionner le nombre de tasses, tournez le bouton de commande jusqu'à ce que le nombre de tasses souhaité clignote sur l'afficheur (Fig. 13).

Remarque : Notez que la cafetière utilise toute l'eau du réservoir d'eau. Si vous sélectionnez un nombre de tasses inférieur à la quantité d'eau, le café sera plus doux que prévu.

- 11 Appuyez au centre du bouton de commande pour confirmer le nombre de tasses (Fig. 7).
- 12 Appuyez à nouveau au centre du bouton de commande. L'appareil émet un signal sonore et commence à moudre la quantité requise de grains de café. Lorsque le café est moulu, la préparation du café commence.
- 13 Attendez que le signal sonore émis par la cafetière cesse avant de retirer la verseuse.

Remarque : Une fois la préparation terminée, le café continue de s'écouler du porte-filtre pendant quelques secondes.

- 14 L'appareil garde votre café chaud jusqu'à ce qu'il s'éteigne automatiquement. Si vous n'avez pas besoin que votre cafetière garde votre café chaud, appuyez sur le bouton marche/arrêt pour éteindre l'appareil.

Utilisation avec du café moulu

Si vous souhaitez utiliser du café moulu et non des grains de café, suivez les instructions ci-dessous.

- 1 Ouvrez le couvercle du réservoir d'eau et remplissez le réservoir avec la quantité d'eau froide requise (Fig. 2).
- 2 Ouvrez le support pour porte-filtre (Fig. 10).
- 3 Placez un filtre en papier (1x4 ou n° 4) ou le filtre permanent dans le porte-filtre.
- 4 Versez le café moulu dans le filtre en papier ou le filtre permanent.
- 5 Fermez le support du porte-filtre.
- 6 Placez la verseuse dans l'appareil (Fig. 3).
- 7 Appuyez sur le bouton marche/arrêt (Fig. 5). L'afficheur s'allume.
- 8 Appuyez sur le bouton de sélection de l'intensité (Fig. 4).

- 9 Tournez le bouton de commande pour choisir le niveau de mouture (Fig. 6). L'icône de mouture du café s'allume.
- 10 Appuyez au centre du bouton de commande pour confirmer (Fig. 7).
- 11 Puis, appuyez à nouveau au centre du bouton de commande pour commencer la préparation du café.
- 12 Attendez que le signal sonore émis par la cafetière cesse avant de retirer la verseuse.
Remarque : Une fois la préparation terminée, le café continue de s'écouler du porte-filtre pendant quelques secondes.
- 13 L'appareil garde votre café chaud jusqu'à ce qu'il s'éteigne automatiquement. Si vous n'avez pas besoin que votre cafetière garde votre café chaud, appuyez sur le bouton marche/arrêt pour éteindre l'appareil.

Fonction stop-goutte

La fonction stop-goutte vous permet de retirer la verseuse de la cafetière avant que le cycle de préparation ne soit fini. Lorsque vous retirez la verseuse, le système stop-goutte empêche le café de s'écouler.

Remarque : Le cycle de préparation ne s'arrête pas lorsque vous retirez la verseuse. Si vous n'avez pas remis la verseuse dans l'appareil au bout de 20 secondes, le porte-filtre déborde.

Nettoyage et entretien

Nettoyage après chaque utilisation

Ne plongez jamais l'appareil dans l'eau, ni dans d'autres liquides et ne le rincez pas sous le robinet.

- 1 Retirez le cordon d'alimentation de la prise secteur.
- 2 Essuyez l'extérieur de la cafetière à l'aide d'un chiffon humide.
- 3 Nettoyez le porte-filtre et le filtre permanent à l'eau chaude savonneuse ou au lave-vaisselle.

Nettoyage de l'entonnoir du moulin

Important : Nettoyez l'entonnoir du moulin toutes les 1 à 2 semaines pour éviter toute accumulation de café moulu. Pour nettoyer l'entonnoir facilement et rapidement, suivez les instructions ci-dessous.

Remarque : Assurez-vous que le bac à grains de café est vide avant de commencer la procédure de nettoyage.

- 1 Éteignez l'appareil en appuyant sur le bouton marche/arrêt (Fig. 14).
- 2 Ouvrez le support pour porte-filtre (Fig. 10).
- 3 Placez un filtre en papier (1x4 ou n° 4) ou le filtre permanent dans le porte-filtre (Fig. 11).
- 4 Fermez le support du porte-filtre.
- 5 Utilisez l'extrémité de la brosse de nettoyage du bac à grains pour ouvrir le couvercle de l'entonnoir du moulin (Fig. 15).
- 6 Maintenez le bouton de nettoyage du moulin enfoncé pendant 4 secondes (Fig. 16). Le nettoyage du moulin commence.

38 Français

- 7 Lorsque le nettoyage du moulin est terminé, utilisez la brosse de nettoyage du bac à grains pour faire tomber les résidus de café moulu dans la partie basse de l'entonnoir (Fig. 17). Les résidus de café moulu tombent dans le porte-filtre.
- 8 Fermez le couvercle de l'entonnoir du moulin.
- 9 Enlevez le filtre en papier ou le filtre permanent et les résidus de café moulu.

Détartrage de la machine à café

En cas d'émission excessive de vapeur ou d'augmentation du temps de préparation du café, procédez à des détartrages plus fréquents. Il est conseillé de détartrer la cafetière tous les deux mois. Utilisez uniquement du vinaigre blanc pour détartrer, car les autres produits risquent d'endommager la cafetière. Pour obtenir plus d'informations sur le détartrage, consultez le site

www.philips.com/descale-coffeemaker.

Avertissement : Afin d'éviter tout dommage, n'utilisez jamais de vinaigre blanc (à teneur en acide acétique supérieure ou égale à 8 %), de vinaigre naturel, de détartrant en poudre ou en tablette pour détartrer l'appareil.

- 1 Ouvrez le couvercle du réservoir d'eau.
- 2 Remplissez le réservoir d'eau jusqu'à l'indication correspondant à 10 tasses avec du vinaigre blanc (4 % d'acide acétique).
- 3 Placez un filtre en papier (1 x 4 ou n° 4) ou le filtre permanent dans le porte-filtre, puis fermez le support pour porte-filtre.
- 4 Placez la verseuse vide dans l'appareil.
- 5 Branchez le cordon d'alimentation sur la prise secteur.
- 6 Mettez l'appareil en marche en appuyant sur le bouton marche/arrêt. L'afficheur s'allume.
- 7 Appuyez sur le bouton de sélection de l'intensité et tournez le bouton de commande pour choisir le niveau de mouture (Fig. 6).
- 8 Appuyez au centre du bouton de commande pour confirmer (Fig. 7).
- 9 Appuyez à nouveau au centre du bouton de commande pour commencer la préparation du café.
- 10 Patientez jusqu'à ce que la moitié du vinaigre se soit écoulée dans la verseuse. Puis, appuyez sur le bouton marche/arrêt pour interrompre le cycle de préparation. Laissez le vinaigre agir pendant au moins 15 minutes.
- 11 Rallumez la cafetière en appuyant sur le bouton marche/arrêt.
- 12 Appuyez deux fois au centre du bouton de commande pour laisser l'appareil terminer le cycle de préparation (Fig. 18).
- 13 Videz la verseuse et retirez le filtre en papier ou le filtre permanent et les résidus de calcaire.
- 14 Remplissez le réservoir d'eau avec de l'eau froide et appuyez deux fois au centre du bouton de commande pour commencer un nouveau cycle de préparation (Fig. 18). Laissez la cafetière terminer le cycle de préparation et videz la verseuse.

Remarque : Si nécessaire, répétez l'étape 14 jusqu'à ce que l'eau s'écoulant de l'appareil n'ait plus le goût ni l'odeur du vinaigre.

- 15 Nettoyez le porte-filtre et la verseuse à l'eau chaude, avec un peu de liquide vaisselle.
- 16 Appuyez sur le bouton marche/arrêt sur le devant de l'appareil pour l'éteindre (Fig. 14).

Garantie et assistance

Si vous avez besoin d'une assistance ou d'informations supplémentaires, consultez le site Web www.philips.com/support ou lisez le dépliant sur la garantie internationale.

Commande d'accessoires

Pour acheter des accessoires ou des pièces de rechange, consultez le site Web www.shop.philips.com/service ou rendez-vous chez votre revendeur Philips. Vous pouvez également communiquer avec le Service Consommateurs Philips de votre pays (consultez le dépliant de garantie internationale pour obtenir les coordonnées).

Recyclage

- Ce symbole signifie que ce produit ne doit pas être jeté avec les déchets ménagers (2012/19/EU) (Fig. 19).
- Respectez les réglementations de votre pays concernant la collecte séparée des appareils électriques et électroniques. La mise au rebut appropriée des piles permet de protéger l'environnement et la santé.

Dépannage

Cette rubrique récapitule les problèmes les plus courants que vous pouvez rencontrer avec l'appareil. Si vous ne parvenez pas à résoudre le problème à l'aide des informations ci-dessous, rendez-vous sur le site www.philips.com/support et consultez la liste de questions fréquemment posées ou contactez le Service Consommateurs Philips de votre pays.

Problème	Solution
L'appareil ne fonctionne pas.	Branchez le cordon d'alimentation sur une prise secteur, puis appuyez sur le bouton marche/arrêt pour allumer l'appareil.
	Assurez-vous que la tension indiquée sur l'appareil correspond bien à la tension secteur locale.
	Remplissez le réservoir d'eau.
Le moulin à café ne fonctionne pas ou ne fonctionne pas correctement.	Fermez le couvercle de l'entonnoir du moulin.
	Assurez-vous que vous n'avez pas sélectionné l'option de café moulu. Si le symbole de mouture du café est visible sur l'afficheur, vous avez sélectionné l'option de café moulu.
Lorsque j'utilise le moulin, le café est trop léger.	Nettoyez l'entonnoir du moulin en suivant les instructions (voir 'Nettoyage de l'entonnoir du moulin').
	Assurez-vous que le nombre de tasses sélectionné correspond à la quantité d'eau dans le réservoir. Notez que la cafetière utilise toute l'eau du réservoir d'eau.
	Réglez le bouton de sélection de l'intensité sur « strong » (fort).
Lorsque j'utilise du café moulu, le café est trop léger.	Utilisez des grains de café à l'arôme plus intense ou au goût plus fort.
	Assurez-vous que la quantité de café moulu dans le filtre correspond à la quantité d'eau dans le réservoir d'eau. Notez que l'appareil utilise toute l'eau du réservoir d'eau.
	Utilisez un café moulu à l'arôme plus intense ou au goût plus fort.

Pour plus d'intensité, augmentez la quantité de café moulu ou diminuez la quantité d'eau.

Le filtre déborde lorsque je retire la verseuse au cours de la préparation.

Si vous retirez la verseuse pendant plus de 20 secondes pendant le cycle de préparation du café, le système stop-goutte risque de faire déborder le porte-filtre. Notez également que le café prend tout son arôme uniquement à la fin d'un cycle complet. Nous vous conseillons donc de ne pas retirer la verseuse et de ne pas servir le café tant que le cycle de préparation n'est pas terminé.

L'appareil continue à goutter, longtemps après la fin du cycle de préparation du café.

Cela est dû à la condensation de la vapeur. Il est tout à fait normal que l'appareil goutte pendant un certain temps.

Si l'appareil ne s'arrête pas de goutter, le système anti-goutte est peut-être obstrué. Pour nettoyer le système anti-goutte, ouvrez le support pour porte-filtre et retirez le porte-filtre. Rincez le porte-filtre et le système stop-goutte sous le robinet.

Le café n'est pas assez chaud.

Le café dans la verseuse refroidit plus rapidement si vous préparez seulement quelques tasses. Le café reste chaud plus longtemps si vous préparez 10 tasses, ce qui correspond à une verseuse pleine.

Détartrez l'appareil (voir 'Détartrage de la machine à café').

L'appareil ne lance pas le nettoyage de l'entonnoir du moulin.

Assurez-vous que l'appareil est branché.

Ouvrez le couvercle de l'entonnoir du moulin avant d'appuyer sur le bouton de sélection de l'intensité du café.

Maintenez enfoncé le bouton de sélection de l'intensité du café pendant 4 secondes jusqu'à ce que le moulin commence le nettoyage.

L'appareil fonctionne, mais émet un signal sonore.

Vérifiez que le couvercle de l'entonnoir du moulin est correctement fermé.

Les grains de café semblent avoir été utilisés rapidement.

Pour préparer une tasse de café parfaite, l'appareil a besoin d'une certaine quantité de café moulu. La quantité de grains de café qu'utilise l'appareil pour obtenir la quantité optimale de café moulu par tasse est normale.

Introductie

Gefeliciteerd met uw aankoop en welkom bij Philips! Registreer uw product op www.philips.com/welcome om optimaal gebruik te kunnen maken van de door Philips geboden ondersteuning.

Algemene beschrijving (afb. 1)

- 1 Filtermandje
- 2 Druppelstop
- 3 Filtermandhouder
- 4 Waterniveau-indicator
- 5 Deksel van waterreservoir
- 6 Deksel van koffiebonenreservoir
- 7 Maalgraadknop
- 8 Bonenreservoir
- 9 Deksel van maalmolentrichter
- 10 Vergrendeling van deksel van maalmolentrichter
- 11 Watervulopening
- 12 Display
- 13 Pictogram voor voorgemalen koffie
- 14 Aantal koppen
- 15 Pictogram van koffiekop
- 16 Pictogrammen van koffiebonen voor koffiesterkte
- 17 Koffiesterkteknop
- 18 Molenreinigingsknop
- 19 Bedieningsknop
- 20 Aan/uit-knop
- 21 Deksel van glazen kan
- 22 Glazen kan
- 23 Schoonmaakborsteltje voor bonentrichter

Belangrijk

Gevaar

- Dompel het apparaat nooit in water of een andere vloeistof en spoel het ook niet af onder de kraan.

Waarschuwing

- Controleer of het voltage dat wordt aangegeven op het apparaat, overeenkomt met de plaatselijke netspanning voordat u het apparaat aansluit.
- Gebruik het apparaat niet als de stekker, het netsnoer of het apparaat zelf beschadigd is.

42 Nederlands

- Als het netsnoer beschadigd is, moet u het laten vervangen door Philips, een door Philips geautoriseerd servicecentrum of door personen met vergelijkbare kwalificaties om gevaarlijke situaties te voorkomen.
- Sluit het apparaat uitsluitend aan op een geaard stopcontact.
- Dit apparaat kan worden gebruikt door kinderen vanaf 8 jaar en door personen met verminderde lichamelijke, zintuiglijke of geestelijke capaciteiten of weinig ervaring en kennis, mits dat gebeurt onder toezicht of nadat zij aanwijzingen hebben gekregen voor veilig gebruik van het apparaat en mits zij de gevaren van het gebruik van dit apparaat begrijpen. Reiniging en onderhoud mogen alleen door kinderen worden uitgevoerd die ouder zijn dan 8 en alleen onder toezicht. Houd het apparaat en het snoer buiten bereik van kinderen die jonger zijn dan 8 jaar oud.
- Kinderen mogen niet met het apparaat spelen.
- Gebruik dit apparaat alleen voor het beoogde doel, om eventuele gevaren of verwondingen te voorkomen.
- Laat het snoer niet over de rand van de tafel of het aanrecht hangen waarop het apparaat staat.
- Raak de maalschijven van het apparaat niet aan, vooral niet wanneer het apparaat is aangesloten op een stopcontact.
- Raak de hete oppervlakken van het apparaat niet aan wanneer het apparaat in werking is.
- Leeg het waterreservoir niet door het apparaat te kantelen. Dit kan het apparaat beschadigen. Om het apparaat te legen, volgt u de instructies voor het spoelen van het apparaat (zie 'Het apparaat doorspoelen').

- Als u er niet in slaagt een probleem op te lossen met behulp van de informatie in deze gebruiksaanwijzing, neem dan contact op met het Consumer Care Center in uw land. Kan het probleem niet worden opgelost, breng de koffiezetter dan naar een door Philips geautoriseerd servicecentrum voor onderzoek of reparatie. Probeer het apparaat niet zelf te repareren, omdat uw garantie hierdoor komt te vervallen.

Let op

- Plaats het apparaat niet op een heet oppervlak en voorkom dat het netsnoer in contact komt met hete oppervlakken.
- Plaats het koffiezetapparaat tijdens gebruik niet in een kast.
- Haal de stekker van het apparaat uit het stopcontact als er tijdens het malen van bonen of het koffiezetten problemen optreden, en voordat u het apparaat gaat schoonmaken.
- Houd de stekker en het stopcontact droog.
- Verplaats of til het apparaat niet op wanneer het in werking is.
- De kan is zowel tijdens als na het koffiezetten heet. Pak de kan altijd vast bij het handvat.
- Gebruik de kan nooit in een magnetron.
- Wacht met opbergen tot het apparaat is afgekoeld. De warmhoudplaat en de koffiekannetjes kunnen heet zijn.
- Controleer nadat u het apparaat hebt uitgepakt of het compleet en onbeschadigd is. Twijfelt u, gebruik het apparaat dan niet en neem contact op met het Consumer Care Center in uw land.
- Deze machine is uitsluitend bedoeld voor normaal huishoudelijk gebruik. Deze machine is niet bedoeld voor gebruik in personeelskeukens van bijvoorbeeld winkels, kantoren, boerderijen of vergelijkbare werkomgevingen.

Elektromagnetische velden (EMV)

Dit Philips-apparaat voldoet aan alle toepasselijke richtlijnen en voorschriften met betrekking tot blootstelling aan elektromagnetische velden.

Vóór het eerste gebruik

De automatische uitschakeltijd instellen

U kunt aangeven hoelang uw koffie na het koffiezetten heet moet blijven door in te stellen na hoeveel tijd het apparaat automatisch moet worden uitgeschakeld. De automatische uitschakeltijd is standaard ingesteld op 30 minuten. De maximale automatische uitschakeltijd bedraagt 120 minuten. Wilt u de automatische uitschakeltijd aanpassen, volg dan de onderstaande stappen.

- 1 Zorg ervoor dat het apparaat is uitgeschakeld, maar laat de stekker wel in het stopcontact zitten.
- 2 Druk op het midden van de bedieningsknop tot het display begint te knipperen.
- 3 Draai aan de bedieningsknop om de tijd te verhogen of te verlagen. 1 is 10 minuten, 2 is 20 minuten, 3 is 30 minuten enzovoort tot 12 is 120 minuten.
- 4 Druk op het midden van de bedieningsknop om de automatische uitschakeltijd te bevestigen.

Opmerking: Het apparaat slaat altijd de laatst gekozen instelling op.

Het apparaat doorspoelen

Voor het eerste gebruik moet de koffiezetter eenmaal worden doorgespoeld.

- 1 Open het deksel van het waterreservoir. Vul het waterreservoir met vers koud water tot aan de aanduiding (Fig. 2) voor 8 koppen.

Opmerking: stop geen koffiebonen of voorgemalen koffie in het waterreservoir.

- 2 Sluit het deksel van het waterreservoir.
- 3 Plaats de kan in het apparaat (Fig. 3).
- 4 Druk op de aan/uit-knop (Fig. 5). Het display gaat branden en het apparaat piept.
- 5 Druk op de koffiesterkteknop (Fig. 4).
- 6 Draai aan de bedieningsknop om de instelling (Fig. 6) voor voorgemalen koffie te kiezen. Het pictogram voor voorgemalen koffie begint te knipperen.
- 7 Druk in het midden van de bedieningsknop om te bevestigen (Fig. 7).
- 8 Druk nogmaals in het midden van de bedieningsknop. Het apparaat start het doorspoelproces.
- 9 Laat het apparaat werken tot het doorspoelproces voltooid is. Het proces is voltooid wanneer het apparaat stopt met piepen.
- 10 Leeg de kan.
- 11 Druk op de aan/uit-knop om het apparaat uit te schakelen.

Het apparaat gebruiken

Het waterreservoir vullen

Er staan aanduidingen voor 2 tot 10 koppen (275 ml tot 1375 ml) op het waterniveauvenster. U kunt deze aanduidingen gebruiken om vast te stellen hoeveel water u in het waterreservoir moet doen. Voor elke kop water die wordt toegevoegd, verandert de reflectie van licht in donker.

- 1 Open het deksel van het waterreservoir en vul het waterreservoir met de benodigde hoeveelheid koud water (Fig. 2).

Opmerking: Vul het waterreservoir nooit tot boven de 10-kopsaanduiding.

Opmerking: zorg ervoor dat de hoeveelheid water die u in het waterreservoir giet, overeenkomt met het aantal koppen koffie dat u wilt zetten. De koffiezetter gebruikt al het water in het waterreservoir.

Met koffiebonen

Waarschuwing: Houd altijd het deksel van het waterreservoir gesloten wanneer u het koffiebonenreservoir met koffiebonen vult. Anders kunnen de koffiebonen in het waterreservoir vallen en de waterinlaat verstopen.

- 1 Open het deksel (Fig. 8) van het koffiebonenreservoir.
- 2 Vul de bak met koffiebonen. Zorg dat er voldoende koffiebonen in het reservoir zitten voor de hoeveelheid koffie die u wilt zetten (Fig. 9).

Opmerking: zorg er altijd voor dat het bonenreservoir ten minste voor de helft gevuld is.

Waarschuwing: gebruik geen ongebrande of gekaramelliseerde bonen, om te voorkomen dat de molen vastloopt. Gebruik koffiebonen in plaats van espressobonen, anders kan de molen beschadigd raken.

- 3 Open de filtermandhouder (Fig. 10).
- 4 Plaats een filterzakje (type 1x4 of nr. 4) of het permanente filter in de filtermand (Fig. 11).
- 5 Sluit de filtermandhouder.
- 6 Draai de maalgraadknop naar de gewenste maling; van fijn tot grof. Er zijn negen maalgraadinstellingen (Fig. 12).

Tip: Met de maalgraadknop kunt u kiezen uit negen verschillende instellingen. De pictogrammen geven 3 voorgeselecteerde optimale instellingen aan, maar u kunt ook kiezen voor een instelling tussen de pictogrammen. Wij adviseren u om met de verschillende maalgraadstanden te experimenteren om te ontdekken welke stand u het prettigst vindt.

- 7 Druk op de koffiesterkteknop (Fig. 4). De pictogrammen van de koffiebonen beginnen te knippen.
- 8 Draai aan de bedieningsknop om de gewenste koffiesterkte te selecteren: 1 boon voor milde koffie, 2 bonen voor koffie van gemiddelde sterkte of 3 bonen voor sterke koffie.
- 9 Druk in het midden van de bedieningsknop om de sterkte (Fig. 7) te bevestigen.
- 10 Selecteer het aantal koppen door aan de bedieningsknop te draaien tot het gewenste aantal koppen op het display (Fig. 13) knippert.

Opmerking: houd er rekening mee dat de koffiezetter al het water in het waterreservoir gebruikt. Als het aantal koppen dat u kiest minder is dan de hoeveelheid water in het reservoir, wordt de koffie slapper dan de bedoeling was.

- 11 Druk in het midden van de bedieningsknop om het aantal koppen (Fig. 7) te bevestigen.
- 12 Druk nogmaals in het midden van de bedieningsknop. Het apparaat piept en begint de benodigde hoeveelheid koffiebonen te malen. Wanneer het maalproces voltooid is, begint het apparaat met koffiezetten.
- 13 Wacht tot de koffiezetter is gestopt met piepen voor u de kan verwijdt.

Opmerking: na het koffiezetten druppelt er nog enkele seconden koffie uit de filtermand.

- 14 Het apparaat zorgt dat uw koffie warm blijft, totdat het automatisch wordt uitgeschakeld. Als uw koffie niet warm gehouden hoeft te worden, drukt u op de aan/uit-knop om het apparaat uit te schakelen.

Met voorgemalen koffie

Volg de onderstaande stappen als u voorgemalen koffie wilt gebruiken in plaats van koffiebonen.

- 1 Open het deksel van het waterreservoir en vul het waterreservoir met de benodigde hoeveelheid koud water (Fig. 2).
- 2 Open de filtermandhouder (Fig. 10).
- 3 Plaats een filterzakje (type 1x4 of nr. 4) of het permanente filter in de filtermand.
- 4 Doe voorgemalen koffie in het filterzakje of in het permanente filter.
- 5 Sluit de filtermandhouder.
- 6 Plaats de kan in het apparaat (Fig. 3).
- 7 Druk op de aan/uitknop (Fig. 5). Het display gaat branden.
- 8 Druk op de koffiesterkteknop (Fig. 4).
- 9 Draai aan de bedieningsknop om de instelling voor voorgemalen koffie (Fig. 6) te kiezen. Het pictogram voor voorgemalen koffie gaat branden.
- 10 Druk in het midden van de bedieningsknop om te bevestigen (Fig. 7).
- 11 Druk vervolgens nogmaals in het midden van de bedieningsknop om het koffiezetten te starten.
- 12 Wacht tot de koffiezetter is gestopt met piepen voor u de kan verwijdert.

Opmerking: na het koffiezetten druppelt er nog enkele seconden koffie uit de filtermand.

- 13 Het apparaat zorgt dat uw koffie warm blijft, totdat het automatisch wordt uitgeschakeld. Als uw koffie niet warm gehouden hoeft te worden, drukt u op de aan/uit-knop om het apparaat uit te schakelen.

Druppelstopfunctie

Dankzij de druppelstopfunctie kunt u de kan uit de koffiezetter verwijderen voor het koffiezetten beëindigd is. Wanneer u de kan verwijdert, zorgt de druppelstop ervoor dat er geen koffie meer in de kan stroomt.

Opmerking: het koffiezetproces stopt niet wanneer u de kan verwijdert. Als u de kan niet binnen 20 seconden terugzet in het apparaat, loopt de filtermand over.

Reiniging en onderhoud

Schoonmaken na ieder gebruik

Dompel het apparaat nooit onder in water of een andere vloeistof en spoel het ook niet af onder de kraan.

- 1 Haal de stekker uit het stopcontact.
- 2 Veeg de buitenkant van de koffiezetter schoon met een vochtige doek.
- 3 Maak de filtermand en het permanente filter schoon met warm water en een beetje afwasmiddel of in de vaatwasmachine.

De maalmolentrichter reinigen

Belangrijk: maak de maalmolentrichter elke 1 à 2 weken schoon om te voorkomen dat de trechter verstopt raakt met gemalen koffie. U kunt dit snel en eenvoudig doen door de onderstaande stappen te volgen.

Opmerking: Zorg ervoor dat het bonenreservoir leeg is voordat u de bonentrechter gaat schoonmaken.

- 1 Druk op de aan/uit-knop om het apparaat (Fig. 14) uit te schakelen.
- 2 Open de filtermandhouder (Fig. 10).
- 3 Plaats een filterzakje (type 1x4 of nr. 4) of het permanente filter in de filtermand (Fig. 11).
- 4 Sluit de filtermandhouder.
- 5 Gebruik het uiteinde van het schoonmaakborsteltje voor de bonentrechter om het deksel van de maalmolentrechter (Fig. 15) te openen.
- 6 Houd de molenreinigingsknop 4 seconden (Fig. 16) ingedrukt. De molen reinigt zichzelf.
- 7 Wacht tot de molen klaar is met reinigen en gebruik daarna het schoonmaakborsteltje voor de bonentrechter om resten gemalen koffie naar het onderste deel van de trechter (Fig. 17) te borstelen. De resten gemalen koffie vallen in de filtermand.
- 8 Sluit het deksel van de maalmolentrechter.
- 9 Verwijder het filterzakje of het permanente filter met de resten gemalen koffie.

De koffiezetter ontkalken

Ontkalk de koffiezetter wanneer het apparaat buitensporig veel stoom produceert of wanneer het koffiezetten langer duurt. Het is raadzaam om iedere twee maanden te ontkalken. Gebruik alleen blanke azijn om te ontkalken; andere producten kunnen de koffiezetter beschadigen. Ga voor meer informatie over ontkalken naar www.philips.com/descale-coffeemaker.

Waarschuwing: Gebruik nooit azijn met een azijnzuurpercentage van 8% of hoger, natuurazijn, een ontkalker op poederbasis of een ontkalker in tabletvorm om het apparaat te ontkalken, omdat dit schade kan veroorzaken.

- 1 Open het deksel van het waterreservoir.
- 2 Vul het waterreservoir met ongeveer 10 koppen blanke azijn (4% azijnzuur).
- 3 Plaats een filterzakje (type 1x4 of nr. 4) of het permanente filter in de filtermand en sluit de filtermandhouder.
- 4 Plaats de lege kan in het apparaat.
- 5 Steek de stekker in het stopcontact.
- 6 Druk op de aan/uit-knop om het apparaat in te schakelen. Het display gaat branden.
- 7 Druk op de koffiesterkteknoop en draai aan de bedieningsknop om de instelling (Fig. 6) voor voorgemalen koffie te selecteren.
- 8 Druk in het midden van de bedieningsknop om te bevestigen (Fig. 7).
- 9 Druk nogmaals in het midden van de bedieningsknop om het koffiezetten te starten.
- 10 Wacht tot de helft van de azijn in de kan is gelopen. Druk vervolgens op de aan/uit-knop om het koffiezetproces te onderbreken. Laat de azijn minimaal 15 minuten inwerken.
- 11 Druk op de aan/uit-knop om de koffiezetter weer in te schakelen.
- 12 Druk tweemaal in het midden van de bedieningsknop om het apparaat het koffiezetproces (Fig. 18) te laten voltooien.
- 13 Maak de kan leeg en verwijder het filterzakje of het permanente filter met de kalkresten.
- 14 Vul het waterreservoir met schoon koud water en druk tweemaal in het midden van de bedieningsknop om het koffiezetproces (Fig. 18) nogmaals te starten. Laat de koffiezetter het volledige koffiezetproces doorlopen en leeg de kan.

Opmerking: herhaal, indien nodig, stap 14 tot het water dat uit het apparaat komt, niet langer naar azijn smaakt of ruikt.

- 15 Maak de filtermand en de kan schoon met warm water en wat afwasmiddel.

16 Druk op de aan/uit-knop op de voorzijde van het apparaat om het apparaat (Fig. 14) uit te schakelen.

Garantie en ondersteuning

Hebt u informatie of ondersteuning nodig, ga dan naar www.philips.com/support of lees de internationale garantieverklaring.

Accessoires bestellen

Ga naar www.shop.philips.com/service of uw Philips-dealer om accessoires of reserveonderdelen aan te schaffen. U kunt ook contact opnemen met het Philips Consumer Care Centre in uw land (zie de meegeleverde wereldwijde garantieverklaring voor contactgegevens).

Recyclen

- Dit symbool betekent dat dit product niet samen met het gewone huishoudelijke afval mag worden weggegooid (2012/19/EU) (Fig. 19).
- Volg de in uw land geldende regels voor de gescheiden inzameling van elektrische en elektronische producten. Als u oude producten correct verwijdert, voorkomt u negatieve gevolgen voor het milieu en de volksgezondheid.

Problemen oplossen

In dit hoofdstuk worden in het kort de meest voorkomende problemen behandeld die zich kunnen voordoen tijdens het gebruik van het apparaat. Als u het probleem niet kunt oplossen met behulp van de onderstaande informatie, gaat u naar www.philips.com/support voor een lijst met veelgestelde vragen of neemt u contact op met het Consumer Care Center in uw land.

Probleem	Oplossing
Het apparaat werkt niet.	Steek de stekker in het stopcontact en druk op de aan/uit-knop om het apparaat in te schakelen.
	Controleer of het voltage aangegeven op het apparaat overeenkomt met de plaatselijke netspanning.
	Vul het waterreservoir met water.
	Sluit het deksel van de maalmolentrichter.
De molen werkt niet of werkt niet goed.	Controleer of u niet per ongeluk voorgemalen koffie hebt geselecteerd. Als het symbool voor voorgemalen koffie op het display wordt getoond, hebt u voorgemalen koffie geselecteerd.
	Maak de maalmolentrichter schoon volgens de instructies (zie 'De maalmolentrichter reinigen').
Als ik de molen gebruik, is de koffie te slap.	Controleer of het gekozen aantal koppen overeenkomt met de hoeveelheid water in het waterreservoir. houd er rekening mee dat de koffiezetter al het water in het waterreservoir gebruikt.
	Gebruik de koffiesterkteknop om de koffiesterkte op 'sterk' in te stellen.

Gebruik koffiebonen van een sterkere melange of smaak.

Als ik voorgemalen koffie gebruik, is de koffie te slap.

Controleer of de hoeveelheid voorgemalen koffie in het filter overeenkomt met de hoeveelheid water in het waterreservoir. Houd er rekening mee dat het apparaat al het water in het waterreservoir gebruikt.

Gebruik gemalen koffie van een sterkere melange of smaak.

Gebruik meer voorgemalen koffie of minder water om sterkere koffie te verkrijgen.

Het filter stroomt over wanneer ik de kan tijdens het koffiezetten uit het apparaat verwijder.

Als u de kan tijdens het koffiezetproces meer dan 20 seconden verwijdert, zal de druppelstop de filtermand doen overstromen. Denk er bovendien aan dat de koffie zijn volledige smaak niet bereikt voor het einde van het koffiezetproces. Daarom raden wij u aan de kan niet te verwijderen en geen koffie uit te schenken voor het einde van het koffiezetproces.

Het apparaat blijft nog lang doordruppelen nadat het koffiezetproces is voltooid.

Het druppelen wordt veroorzaakt door de condensatie van stoom. Het is volkomen normaal dat het apparaat nog even blijft doordruppelen.

Als het druppelen niet stopt, is de druppelstop mogelijk verstopt. Om de druppelstop schoon te maken, opent u de filtermandhouder en verwijdert u de filtermand. Spoel de filtermand en de druppelstop af onder de kraan.

De koffie is niet heet genoeg.

De koffie in de kan koelt sneller af als u maar een paar koppen koffie zet. De koffie blijft langer warm als u 10 koppen koffie zet. Dit is een volle kan.

Ontkalk het apparaat (zie 'De koffiezetter ontkalken').

Het apparaat begint niet met het schoonmaken van de maalmolentrichter.

Zorg ervoor dat de stekker in het stopcontact zit.

Open het deksel van de maalmolentrichter voordat u de koffiesterkteknop ingedrukt houdt.

Houd de koffiesterkteknop 4 seconden ingedrukt tot de molen zichzelf begint te reinigen.

Het apparaat werkt maar maakt een piepend geluid.

Controleer of het deksel van de maalmolentrichter goed gesloten is.

Het lijkt alsof de koffiebonen te snel op zijn.

Om een perfect kopje koffie te kunnen zetten, heeft het apparaat een bepaalde hoeveelheid gemalen koffie nodig. De hoeveelheid koffiebonen die het apparaat gebruikt voor de perfecte hoeveelheid gemalen koffie is normaal.

Innledning

Gratulerer med kjøpet og velkommen til Philips! Registrer produktet på www.philips.com/welcome for å dra full nytte av støtten som Philips tilbyr.

Generell beskrivelse (fig. 1)

- 1 Filterkurv
- 2 Dryppstopp
- 3 Filterkurvholder
- 4 Vannivåmerke
- 5 Lokk på vannbeholder
- 6 Lokk til bønnebeholder
- 7 Knapp for grovhet
- 8 Kaffebønnebeholder
- 9 Lokk til kvernetrakt
- 10 Lås på lokk til kvernetrakt
- 11 Påfyllingsåpning for vann
- 12 Display
- 13 Ikon for forhåndsmalt kaffe
- 14 Antall kopper
- 15 Ikon for kaffekopp
- 16 Ikon for valg av kaffebønnestyrke
- 17 Knapp for styrkevalg
- 18 Rengjøringsknapp for kvern
- 19 Kontrollknapp
- 20 Av/på-knapp
- 21 Glasskannelokk
- 22 Glasskanne
- 23 Rengjøringsbørste for kaffebønnerennen

Viktig

Fare

- Ikke senk ned apparatet i vann eller annen væske, og ikke skyll det under rennende vann.

Advarsel

- Før du kobler til apparatet, må du kontrollere at spenningen som er angitt på apparatet, stemmer overens med nettspenningen.
- Ikke bruk apparatet hvis støpselet, ledningen eller selve apparatet er ødelagt.
- Hvis ledningen er ødelagt, må du få den skiftet enten av Philips, på et servicesenter som er godkjent av Philips, eller av annet kvalifisert personell, slik at du unngår farlige situasjoner.
- Koble apparatet til en jordet stikkontakt.

- Apparatet kan brukes av barn fra 8 år og oppover, personer som har nedsatt fysisk, sensorisk eller mental funksjonsevne, og personer som mangler erfaring og kunnskap. Dette forutsetter imidlertid at bruken skjer under tilsyn, eller at brukeren forstår risikoene og har fått opplæring i trygg bruk av apparatet. Barn skal ikke rengjøre eller vedlikeholde apparatet med mindre de er over 8 år og får veiledning. Hold apparatet og ledningen utenfor rekkevidden til barn under 8 år.
- Ikke la barn leke med apparatet.
- Bruk kun dette produktet til det tiltenkte formål, for å unngå potensiell fare eller skade.
- Ikke la ledningen henge over kanten på bordet eller benken der apparatet står.
- Unngå å berøre de ru kvernekantene på apparatet – spesielt hvis apparatet er koblet til en stikkontakt.
- Ikke berør de varme overflatene på apparatet mens det er i bruk.
- Ikke tøm vannbeholderen ved å vippe på apparatet, ettersom det kan skade apparatet. Tøm apparatet (se 'Skylle apparatet') ved å følge instruksjonene for skylling.
- Hvis det oppstår et problem du ikke kan løse ved hjelp av denne brukerhåndboken, tar du kontakt med kundesenteret i landet der du bor. Hvis problemet ikke kan løses, tar du apparatet med til et servicesenter som er godkjent av Philips, for å få det undersøkt eller reparert. Ikke forsøk å reparere apparatet på egen hånd. Hvis du gjør det, vil garantien ikke lenger gjelde.

Forsiktig

- Ikke plasser apparatet på en varm overflate, og pass på at ledningen ikke kommer i kontakt med varme overflater.
- Ikke sett kaffetrakteren i et skap når den er i bruk.
- Koble fra apparatet før du rengjør det, og hvis det oppstår problemer under malingen eller traktingen.
- Sørg for å holde både støpselet og stikkontakten tørre.
- Ikke løft og flytt på apparatet når det er i bruk.

- Kannen er varm under og etter traktingen. Hold den alltid etter håndtaket.
- Ikke sett kannen i en mikrobølgeovn.
- Vent til apparatet er avkjølt før du legger det vekk. Varmeplaten og kaffekannen kan være varme.
- Etter at du har pakket ut apparatet, må du kontrollere at det er i hel og uskadet stand. Hvis du er i tvil, må du ikke bruke apparatet, men ta kontakt med kundesenteret i landet der du bor.
- Denne maskinen er bare ment til vanlig husholdningsbruk. Den er ikke ment for bruk i omgivelser som kjøkken for ansatte i butikker, på kontorer, på gårder eller i andre arbeidsmiljøer.

Elektromagnetiske felt (EMF)

Dette Philips-apparatet overholder alle aktuelle standarder og forskrifter for eksponering for elektromagnetiske felt.

Før bruk første gang

Stille inn automatisk avslåingstid

For å velge hvor lenge kaffen skal holdes varm etter traktingen, justerer du hvor lang tid det skal gå før apparatet automatisk slår seg av. Apparatet vil som standard slå seg av etter 30 minutter. Lengste automatiske avslåingstid er 120 minutter. Følg trinnene under for å justere hvor lenge det skal gå før maskinen slår seg av automatisk.

- 1 Sørg for at apparatet er slått av, men at støpselet fremdeles står i stikkkontakten.
- 2 Trykk midt på kontrollknappen til displayet begynner å blinke.
- 3 Vri kontrollknappen for å forlenge eller forkorte tiden. 1 er 10 minutter, 2 er 20 minutter, 3 er 30 minutter og så videre frem til 12, som er 120 minutter.
- 4 Trykk midt på kontrollknappen for å bekrefte den automatiske avslåingstiden.

Merk: Apparatet lagrer alltid den sist brukte innstillingen.

Skylle apparatet

Skyll alltid kaffetrakteren én gang før bruk.

- 1 Åpne lokket til vannbeholderen. Fyll vannbeholderen med friskt, kaldt vann opp til 8 koppersnivået (Fig. 2).

Merk: Ikke hell kaffebønner eller forhåndsmalt kaffe i vannbeholderen.

- 2 Lukk lokket til vannbeholderen.
- 3 Sett kannen i apparatet (Fig. 3).
- 4 Trykk på av/på-knappen (Fig. 5). Displayet lyser, og apparatet piper.
- 5 Trykk på knappen (Fig. 4) for styrkevalg.

- 6 Vri kontrollknappen for å velge innstillingen (Fig. 6) for forhåndsmalt kaffe. Ikonet for forhåndsmalt kaffe begynner å blinke.
- 7 Trykk midt på kontrollknappen for å bekrefte (Fig. 7).
- 8 Trykk en gang til midt på kontrollknappen. Apparatet starter skylleprosessen.
- 9 La apparatet kjøre til skylleprosessen er ferdig. Den er ferdig når apparatet slutter å pipe.
- 10 Tøm kannen.
- 11 Trykk på av/på-knappen for å slå av apparatet.

Bruke apparatet

Fylle vanntanken

Vannivåvinduet har merker for 2 til 10 kopper (275 til 1375 ml). Du kan bruke disse merkene til å finne ut hvor mye vann du skal ha i vannbeholderen. Refleksjonen endres fra lys til mørk per kopp med vann som fylles på.

- 1 Åpne lokket på vannbeholderen, og fyll vannbeholderen med mengden kaldt vann (Fig. 2) som kreves.

Merke: Ikke fyll vannbeholderen med vann over merket for 10 kopper.

Merke: Pass på at mengden vann du heller i vannbeholderen, samsvarer med antall kopper du ønsker å trakte. Kaffetrakteren bruker alt vannet i vannbeholderen.

Bruke kaffebønner

Advarsel: Hold alltid lokket på vannbeholderen lukket når du fyller kaffebønnebeholderen med kaffebønner. I motsatt fall kan kaffebønner falle ned i vannbeholderen og blokkere vanninntaket.

- 1 Åpne lokket (Fig. 8) på kaffebønnebeholderen.
- 2 Fyll beholderen med kaffebønner. Kontroller at det er nok kaffebønner i beholderen for den mengden kaffe du ønsker å trakte (Fig. 9).

Merke: Sørg alltid for at bønnebeholderen er minst halvfull.

Advarsel: Ikke bruk uristede eller karamelliserte bønner for å forhindre at maleren låser seg. Bruk kaffebønner i stedet for espressobønner, da espressobønner kan skade kvernen.

- 3 Åpne filterkurvholderen (Fig. 10).
- 4 Legg et papirfilter (type 1x4 eller nr. 4) eller det permanente filteret i filterkurven (Fig. 11).
- 5 Lukk filterkurvholderen.
- 6 Vri på knappen for grovhet for å velge ønsket type maling (fra fin til grov). Det finnes ni forskjellige maleinnstillinger (Fig. 12).

Tips: Knappen for grovhet gjør at du kan velge mellom 9 forskjellige innstillinger. Ikonene angir 3 forhåndsvalgte optimale innstillinger, men du kan velge hvilken som helst innstilling mellom disse. Vi anbefaler at du prøver deg frem med ulike maleinnstillinger til du finner den du foretrekker.

- 7 Trykk på styrkeknappen (Fig. 4). Ikonene for kaffebønner begynner å blinke.
- 8 Vri kontrollknappen for å velge ønsket kaffestyrke: 1 bønne for mild kaffe, 2 bønner for middels sterk kaffe eller 3 bønner for sterk kaffe.
- 9 Trykk midt på kontrollknappen for å bekrefte styrken (Fig. 7).

54 Norsk

10 Velg antall kopper ved å vri kontrollknappen til ønsket antall kopper blinker i displayet (Fig. 13).

Merk: Husk at kaffetrakteren bruker alt vannet i vannbeholderen. Hvis valgt antall kopper er mindre enn mengden vann, blir kaffen svakere enn du hadde tenkt.

11 Trykk midt på kontrollknappen for å bekrefte antall kopper (Fig. 7).

12 Trykk en gang til midt på kontrollknappen. Apparatet piper og begynner å male den nødvendige mengden kaffebønner. Når kverneprosessen er fullført, begynner apparatet å trakte kaffe.

13 Vent til kaffetrakteren har sluttet å pipe før du fjerner kannen.

Merk: Etter traktningen drypper det kaffe fra filterkurven i flere sekunder.

14 Apparatet holder kaffen varm inntil det slår seg av automatisk. Hvis du ikke trenger å holde kaffen varm, trykker du på av/på-knappen for å slå av apparatet.

Bruke forhåndsmalt kaffe

Hvis du ønsker å bruke forhåndsmalt kaffe i stedet for kaffebønner, følger du trinnene nedenfor.

1 Åpne lokket på vannbeholderen, og fyll vannbeholderen med mengden kaldt vann (Fig. 2) som kreves.

2 Åpne filterkurvholderen (Fig. 10).

3 Legg et papirfilter (type 1x4 eller nr. 4) eller det permanente filteret i filterkurven.

4 Legg den forhåndsmalte kaffen i papirfilteret eller det permanente filteret.

5 Lukk filterkurvholderen.

6 Sett kannen i apparatet (Fig. 3).

7 Trykk på av/på-knappen (Fig. 5). Displayet begynner å lyse.

8 Trykk på knappen for styrkevalg (Fig. 4).

9 Vri kontrollknappen for å velge innstillingen for forhåndsmalt kaffe (Fig. 6). Ikonet for forhåndsmalt kaffe lyser.

10 Trykk midt på kontrollknappen for å bekrefte (Fig. 7).

11 Trykk deretter en gang til midt på kontrollknappen for å starte traktningen.

12 Vent til kaffetrakteren har sluttet å pipe før du fjerner kannen.

Merk: Etter traktningen drypper det kaffe fra filterkurven i flere sekunder.

13 Apparatet holder kaffen varm inntil det slår seg av automatisk. Hvis du ikke trenger å holde kaffen varm, trykker du på av/på-knappen for å slå av apparatet.

Dryppstoppfunksjon

Dryppstoppfunksjonen gjør at du kan fjerne kannen fra kaffetrakteren før trakteprosessen er ferdig. Når du fjerner kannen, sørger dryppstoppfunksjonen for at det slutter å renne kaffe inn i kannen.

Merk: Traktesyklusen stopper ikke når du fjerner kannen. Hvis du ikke setter kannen tilbake på varmeplaten innen 20 sekunder, renner kurven over.

Rengjøring og vedlikehold

Rengjør etter hver gangs bruk

Ikke senk ned apparatet i vann eller annen væske, og ikke skyll det under rennende vann.

1 Ta ut støpselet av stikkkontakten.

- 2 Tørk av utsiden av kaffetrakteren med en fuktig klut.
- 3 Rengjør filterkurven og det permanente filteret med varmt vann og litt oppvaskmiddel, eller gjør dem rene i oppvaskmaskinen.

Rengjøre kvernetrakten

Viktig: Rengjør kvernetrakten med 1–2 ukers mellomrom for å unngå tilstopping av malt kaffe. Dette gjøres enkelt og raskt ved å følge trinnene under.

Merk: Pass på at kaffebønnebeholderen er tom før du starter rengjøringen.

- 1 Trykk på av/på-knappen for å slå av apparatet (Fig. 14).
- 2 Åpne filterkurvholderen (Fig. 10).
- 3 Legg et papirfilter (type 1x4 eller nr. 4) eller det permanente filteret i filterkurven (Fig. 11).
- 4 Lukk filterkurvholderen.
- 5 Åpne lokket på kvernetrakten (Fig. 15) ved hjelp av enden på rengjøringsbørsten for kaffebønnerennen.
- 6 Trykk på og hold inne rengjøringsknappen for kvern i 4 sekunder (Fig. 16). Kvernen begynner å rengjøre seg selv.
- 7 Når kvernen har avsluttet rengjøringen, må du bruke rengjøringsbørsten for kaffebønnerennen til å børste restene av den malte kaffen inn i nedre del av trakten (Fig. 17). Restene av den malte kaffen faller ned i filterkurven.
- 8 Lukk lokket på kvernetrakten.
- 9 Ta ut papirfilteret eller det permanente filteret med restene av den malte kaffen.

Avkalke kaffetrakteren

Hvis du ser at det kommer mye damp eller traktetiden øker, bør kaffetrakteren avkalles oftere. Kaffetrakten bør avkalles annenhver måned. Bruk kun hvit eddik for avkalkingen, da andre produkter kan skade kaffetrakteren. Se www.philips.com/descale-coffeemaker for mer informasjon om avkalking.

Advarsel: Bruk aldri hvit eddik med 8 % syre eller mer, naturlig eddik, avkalkingspulver eller avkalkingstabletter for å avkalke apparatet. Dette kan føre til skader.

- 1 Åpne lokket til vannbeholderen.
- 2 Fyll på hvit eddik (4 % eddiksyre) opp til merket for 10 kopper på vannbeholderen.
- 3 Legg et papirfilter (type 1x4 eller nr. 4) eller det permanente filteret i filterkurven, og lukk filterkurvholderen.
- 4 Sett den tomme kannen i apparatet.
- 5 Sett støpselet i stikkontakten.
- 6 Trykk på av/på-knappen for å slå på apparatet (Fig. 5). Displayet begynner å lyse.
- 7 Trykk på knappen for styrkevalg, og vri kontrollknappen for å velge innstillingen (Fig. 6) for forhåndsmalt kaffe.
- 8 Trykk midt på kontrollknappen for å bekrefte (Fig. 7).
- 9 Trykk midt på kontrollknappen for å starte traktingen.
- 10 Vent til halvparten av eddiken har rent ned i kannen. Trykk deretter på av/på-knappen for å avbryte trakteprosessen. La eddiken få virke i minst 15 minutter.
- 11 Trykk på av/på-knappen for å slå kaffetrakteren på igjen.
- 12 Trykk to ganger midt på kontrollknappen for å la apparatet fullføre trakteprosessen (Fig. 18).
- 13 Tøm kannen og ta ut papirfilteret eller det permanente filteret med kalkrestene.

14 Fyll vannbeholderen med friskt, kaldt vann, og trykk to ganger midt på kontrollknappen for å starte en ny trakteprosess (Fig. 18). La kaffetrakteren fullføre hele trakteprosessen, og tøm kannen.

Merk: Hvis det er nødvendig, må du gjenta trinn 14 til vannet som kommer ut av apparatet, ikke lenger smaker eller lukter eddik.

15 Rengjør filterkurven og kannen med varmt vann og litt oppvaskmiddel.

16 Trykk på av/på-knappen på forsiden for å slå av apparatet (Fig. 14).

Garanti og støtte

Besøk www.philips.com/support eller se det internasjonale garantiheftet for mer informasjon eller hjelp.

Bestille tilbehør

Gå til www.shop.philips.com/service eller din lokale Philips-forhandler for å kjøpe tilbehør eller reservedeler. Du kan også kontakte Philips sin forbrukerstøtte i landet der du bor (du finner kontaktinformasjonen i garantiheftet).

Resirkulering

- Dette symbolet betyr at dette produktet ikke må avhendes i vanlig husholdningsavfall (2012/19/EU) (Fig. 19).
- Pass på å overholde nasjonale regler og forskrifter for avhending av elektriske og elektroniske produkter. Riktig avfallshåndtering bidrar til å forhindre negative konsekvenser for helse og miljø.

Feilsøking

Dette kapitlet oppsummerer de vanligste problemene som kan oppstå med apparatet. Hvis du ikke kan løse problemet ved hjelp av informasjonen nedenfor, kan du gå til www.philips.com/support for å se en liste over vanlige spørsmål, eller du kan kontakte forbrukerstøtten i landet der du bor.

Problem	Løsning
Apparatet virker ikke.	Sett støpselet inn i stikkontakten, og trykk på av/på-knappen for å slå på apparatet.
	Kontroller at spenningen som er angitt på apparatet, stemmer overens med nettspenningen.
	Fyll vannbeholderen med vann.
	Lukk lokket på kvernetrakten.
Kvernen virker ikke, eller virker ikke slik den skal.	Sjekk at du ikke har valgt forhåndsmalt kaffe. Hvis symbolet for forhåndsmalt kaffe vises på displayet, har du valgt forhåndsmalt kaffe.
	Følg instruksjonene (se 'Rengjøre kvernetrakten') for å rengjøre kvernetrakten.
Når jeg bruker kvernen, blir kaffen for svak.	Pass på at antall kopper du velger, samsvarer med mengden vann i vannbeholderen. Husk at kaffetrakteren bruker alt vannet i vannbeholderen.

	Bruk styrkeknappen for å velge "sterk" kaffestyrke.
	Bruk kaffebønner fra en sterkere blanding eller smak.
Når jeg bruker forhåndsmalt kaffe, blir kaffen for svak.	Sørg for at mengden med forhåndsmalt kaffe i filteret samsvarer med mengden vann i vannbeholderen. Husk at apparatet bruker alt vannet i vannbeholderen.
	Bruk malt kaffe fra en sterkere blanding eller smak.
	For å øke styrken på kaffen kan du øke mengden forhåndsmalt kaffe eller redusere mengden vann.
Filteret renner over når jeg fjerner kannen fra apparatet mens det trakter kaffe.	Hvis du fjerner kannen i mer enn 20 sekunder i løpet av trakteprosessen, fører dryppstoppet til at filterkurven renner over. Vær også oppmerksom på at kaffen ikke får full smak før på slutten av trakteprosessen. Vi anbefaler derfor at du ikke fjerner kannen eller heller ut kaffe før trakteprosessen er ferdig.
Apparatet fortsetter å dryppe lenge etter at trakteprosessen er ferdig.	Dryppingen forårsakes av kondens fra dampen. Det er helt normalt at apparatet drypper en stund.
	Hvis dryppingen ikke stopper, kan det hende at dryppstoppen er blokkert. Du rengjør dryppstoppen ved å åpne filterkurvholderen og ta ut filterkurven. Skyll filterkurven og dryppstoppen under springen.
Kaffen er ikke varm nok.	Kaffen i kannen avkjøles raskere hvis du bare trakter noen få kopper. Kaffen holder seg varm lenger hvis du trakter 10 kopper, som utgjør en full kanne.
	Avkalk apparatet (se 'Avkalke kaffetrakteren').
Apparatet begynner ikke å rengjøre kvernetrakten.	Kontroller at apparatet er tilkoblet.
	Åpne lokket til kvernetrakten før du trykker på og holder inne knappen for kaffestyrke.
	Trykk på og hold inne knappen for kaffestyrke i 4 sekunder til kvernen begynner å rengjøre seg selv.
Apparatet jobber, men du hører en pipelyd.	Kontroller at lokket til kvernetrakten er ordentlig lukket.
Det virker som om kaffebønnene blir brukt opp så raskt.	For å sikre perfekt trakteresultat må det fylles på en bestemt mengde malt kaffe. Mengden kaffebønner som apparatet bruker for å få perfekt mengde malt kaffe per koff, er normal.

Introdução

Parabéns pela sua compra e seja bem-vindo à Philips! Para beneficiar na totalidade da assistência que a Philips oferece, registre o seu produto em www.philips.com/welcome.

Descrição geral (fig. 1)

- 1 Cesto porta-filtro
- 2 Sistema antipingos
- 3 Suporte do cesto porta-filtro
- 4 Indicador do nível de água
- 5 Tampa do reservatório para água
- 6 Tampa do recipiente para grãos
- 7 Botão da densidade de moagem
- 8 Recipiente para grãos de café
- 9 Tampa de abertura do moinho
- 10 Fecho da tampa de abertura do moinho
- 11 Orifício de enchimento de água
- 12 Visor
- 13 Ícone do café pré-moído
- 14 Número de chávenas
- 15 Ícone de chávena de café
- 16 Ícone de grãos de café para seleção de intensidade
- 17 Botão de seleção da intensidade
- 18 Botão de limpeza do moinho
- 19 Botão de controlo
- 20 Botão ligar/desligar
- 21 Tampa do jarro de vidro
- 22 Jarro de vidro
- 23 Escova de limpeza da entrada dos grãos

Importante

Perigo

- Nunca mergulhe o aparelho em água ou noutro líquido, nem o enxague em água corrente.

Aviso

- Verifique se a voltagem indicada no aparelho corresponde à voltagem elétrica local antes de o ligar.
- Não utilize o aparelho se a ficha, o fio de alimentação ou o próprio aparelho estiverem danificados.
- Se o fio estiver danificado, deve ser sempre substituído pela Philips, por um centro de assistência autorizado da Philips ou por pessoal devidamente qualificado para se evitarem situações de perigo.

- Ligue o aparelho a uma tomada com ligação à terra.
- Este aparelho pode ser utilizado por crianças com idade igual ou superior a 8 anos e por pessoas com capacidades físicas, sensoriais ou mentais reduzidas, ou com falta de experiência e conhecimento, caso tenham sido supervisionadas ou lhes tenham sido dadas instruções relativas à utilização segura do aparelho e se forem alertadas para os perigos envolvidos. A limpeza e manutenção não devem ser efetuadas por crianças, a não ser que tenham idade superior a 8 anos e sejam supervisionadas. Mantenha o aparelho e o cabo fora do alcance de crianças com idade inferior a 8 anos.
- As crianças não devem brincar com o aparelho.
- Utilize este aparelho apenas para o fim a que se destina, para evitar possíveis lesões ou danos.
- Não deixe que o fio de alimentação fique pendurado na extremidade da mesa ou bancada de trabalho onde o aparelho está colocado.
- Não toque nas mós de moinho do aparelho, especialmente quando este estiver ligado a uma tomada elétrica.
- Não toque nas superfícies quentes do aparelho enquanto este se encontra em funcionamento.
- Não esvazie o reservatório de água inclinando o aparelho, pois isto pode danificá-lo. Para esvaziar o aparelho, siga as instruções de lavagem do aparelho (consultar 'Limpeza do aparelho').
- Se não conseguir resolver algum problema com a ajuda deste manual do utilizador, contacte o Centro de Apoio ao Cliente do seu país. Se não for possível resolver o problema, leve o aparelho a um centro de assistência autorizado pela Philips para ser inspecionado ou reparado. Não tente reparar o aparelho sozinho; caso contrário, a garantia perde a validade.

Cuidado

- Não coloque o aparelho sobre uma superfície quente e evite que o fio entre em contacto com superfícies quentes.

- Não coloque a máquina de café dentro de um armário quando estiver a ser utilizada.
- Desligue o aparelho da corrente se ocorrer algum problema durante a moagem ou preparação de café e antes de o limpar.
- Keep the plug and the wall socket dry.
- Do not lift and move the appliance while it is operating.
- O jarro está quente durante e após o processo de preparação do café. Segure o jarro sempre pela pega.
- Nunca coloque o jarro no micro-ondas.
- Aguarde que o aparelho arrefeça antes de o guardar. A placa de aquecimento e o jarro do café podem estar quentes.
- Após desembalar o aparelho, certifique-se de que o mesmo está completo e não apresenta danos. Se tiver alguma dúvida, contacte o Centro de Apoio ao Cliente do seu país antes de utilizar o aparelho.
- Esta máquina destina-se apenas a uma utilização doméstica normal. Não se destina a ambientes como copas de pessoal em lojas, escritórios, quintas e outros ambientes de trabalho.

Campos electromagnéticos (CEM)

Este aparelho Philips cumpre todas as normas e regulamentos aplicáveis relativos à exposição a campos electromagnéticos.

Antes da primeira utilização

Definir o tempo de desligamento automático

Pode escolher durante quanto tempo pretende que o café se mantenha quente depois de preparado ao ajustar o tempo após o qual o aparelho se deve desligar automaticamente. O tempo de desligamento automático predefinido é de 30 minutos. O tempo máximo de desligamento automático é de 120 minutos. Para ajustar o tempo de desligamento automático, siga os passos abaixo.

- 1 Certifique-se de que o aparelho está desligado, mas que a ficha de alimentação está introduzida na tomada elétrica.
- 2 Prima o centro do botão de controlo até o visor ficar intermitente.
- 3 Rode o botão de controlo para aumentar ou diminuir o tempo. 1 corresponde a 10 minutos, 2 corresponde a 20 minutos, 3 corresponde a 30 minutos e assim sucessivamente até 12, que corresponde a 120 minutos.
- 4 Prima o centro do botão de controlo para confirmar o tempo de desligamento automático.

Nota: o aparelho guarda sempre a última definição.

Limpeza do aparelho

Limpe sempre a máquina de café uma vez antes da primeira utilização.

- 1 Abra a tampa do reservatório de água. Encha o reservatório com água limpa e fria até à indicação (Fig. 2) para 8 chávenas.

Nota: não coloque grãos de café nem café pré-moído no reservatório de água.

- 2 Feche a tampa do reservatório de água.
- 3 Coloque o jarro no aparelho (Fig. 3).
- 4 Prima o botão (Fig. 5) ligar/desligar. O visor acende-se e o aparelho emite sinais sonoros.
- 5 Prima o botão (Fig. 4) de seleção da intensidade.
- 6 Rode o botão de controlo para escolher a regulação (Fig. 6) do café pré-moído. O ícone de café pré-moído fica intermitente.
- 7 Prima o centro do botão de controlo para confirmar (Fig. 7).
- 8 Prima o centro do botão de controlo novamente. O aparelho inicia o processo de lavagem.
- 9 Deixe o aparelho a trabalhar até o processo de lavagem terminar. O processo termina quando o aparelho deixa de emitir sinais sonoros.
- 10 Esvazie o jarro.
- 11 Prima o botão ligar/desligar para desligar o aparelho.

Utilizar o aparelho

Encher o reservatório da água

Há indicações para 2 a 10 chávenas (275 ml a 1375 ml) na janela indicadora do nível da água. Pode utilizar estas indicações para determinar quanta água deve colocar no reservatório de água. O reflexo muda de claro para escuro por cada chávena de água adicionada.

- 1 Abra a tampa do reservatório de água e encha-o com a quantidade necessária de água (Fig. 2) fria.

Nota: não encha o reservatório de água acima da indicação de 10 chávenas.

Nota: certifique-se de que a quantidade de água colocada no reservatório corresponde ao número de chávenas que pretende preparar. A máquina de café utiliza toda a água no reservatório de água.

Utilizar grãos de café

Aviso: mantenha sempre a tampa do reservatório de água fechada, enquanto enche o recipiente de grãos de café com grãos de café. Caso contrário, podem cair grãos de café no reservatório de água e bloquear a entrada da água.

- 1 Abra a tampa (Fig. 8) do recipiente para grãos de café.
- 2 Encha o recipiente com grãos de café. Assegure-se de que há grãos de café suficientes no recipiente para a quantidade de café que pretende preparar (Fig. 9).

Nota: assegure-se sempre de que o recipiente para grãos está, no mínimo, cheio até metade.

Aviso: para evitar que o moinho encrave, não utilize grãos caramelizados ou não torrados. Utilize grãos de café em vez de grãos para café expresso, uma vez que estes últimos podem danificar o moinho.

- 3 Abra o suporte do cesto porta-filtro (Fig. 10).
- 4 Coloque um filtro de papel (do tipo 1x4 ou n.º 4) ou o filtro permanente no cesto porta-filtro (Fig. 11).
- 5 Feche o suporte do cesto porta-filtro.
- 6 Rode o botão da densidade de moagem para selecionar o tipo de moagem pretendido (de fina a grossa). Existem nove regulações (Fig. 12) de moagem.

Sugestão: o botão da densidade de moagem permite-lhe escolher entre 9 regulações diferentes. Os ícones indicam 3 regulações ideais pré-selecionadas, mas pode escolher qualquer das regulações existentes. Aconselhamo-lo a experimentar diferentes regulações de moagem para descobrir a sua regulação preferida.

- 7 Prima o botão de intensidade (Fig. 4). Os ícones de grãos de café ficam intermitentes.
- 8 Rode o botão de controlo para selecionar a intensidade do café pretendida: 1 grão para café suave, 2 grãos para café médio a forte ou 3 grãos para café forte.
- 9 Prima o centro do botão de controlo para confirmar a intensidade (Fig. 7).
- 10 Para selecionar o número de chávenas, rode o botão de controlo até o número de chávenas pretendido ficar intermitente no visor (Fig. 13).

Nota: lembre-se de que a máquina de café utiliza toda a água no reservatório de água. Se selecionar um número de chávenas menor do que a quantidade de água, o café torna-se mais fraco do que o pretendido.

- 11 Prima o centro do botão de controlo para confirmar o número de chávenas (Fig. 7).
- 12 Prima o centro do botão de controlo novamente. O aparelho emite um sinal sonoro e começa a moer a quantidade necessária de grãos de café. Quando o processo de moagem termina, o aparelho começa a preparar o café.
- 13 Aguarde até a máquina de café parar de emitir sinais sonoros antes de retirar o jarro.

Nota: após a preparação, pinga café do cesto porta-filtro durante alguns segundos.

- 14 O aparelho mantém o café quente até se desligar automaticamente. Se não precisar de manter o café quente, prima o botão ligar/desligar para desligar o aparelho.

Utilizar café pré-moído

Se quiser utilizar café pré-moído em vez de grãos de café, siga os passos abaixo.

- 1 Abra a tampa do reservatório de água e encha-o com a quantidade necessária de água (Fig. 2) fria.
- 2 Abra o suporte do cesto porta-filtro (Fig. 10).
- 3 Coloque um filtro de papel (do tipo 1x4 ou n.º 4) ou o filtro permanente no cesto porta-filtro.
- 4 Coloque o café pré-moído no filtro de papel ou no filtro permanente.
- 5 Feche o suporte do cesto porta-filtro.
- 6 Coloque o jarro no aparelho (Fig. 3).
- 7 Prima o botão ligar/desligar (Fig. 5). O visor acende-se.
- 8 Prima o botão de seleção da intensidade (Fig. 4).
- 9 Rode o botão de controlo para escolher a regulação do café pré-moído (Fig. 6). O ícone de café pré-moído acende-se.
- 10 Prima o centro do botão de controlo para confirmar (Fig. 7).
- 11 Em seguida, prima o centro do botão de controlo novamente para iniciar o processo de preparação de café.
- 12 Aguarde até a máquina de café parar de emitir sinais sonoros antes de retirar o jarro.

Nota: após a preparação, pinga café do cesto porta-filtro durante alguns segundos.

- 13 O aparelho mantém o café quente até se desligar automaticamente. Se não precisar de manter o café quente, prima o botão ligar/desligar para desligar o aparelho.

Função antipingos

A função antipingos permite-lhe retirar o jarro da máquina de café antes de o processo de preparação de café estar terminado. Quando retira o jarro, a função antipingos para o fluxo de café para o jarro.

Nota: o processo de preparação de café não para quando retira o jarro. Se não voltar a colocar o jarro no aparelho num intervalo de 20 segundos, o cesto porta-filtro transborda.

Limpeza e manutenção

Limpeza após cada utilização

Nunca mergulhe o aparelho em água ou nouro líquido, nem o enxague em água corrente.

- 1 Retire a ficha de alimentação da tomada.
- 2 Limpe o exterior da máquina de café com um pano húmido.
- 3 Lave o cesto porta-filtro e o filtro permanente com água quente e um pouco de detergente ou coloque-os na máquina de lavar loiça.

Limpar a abertura do moinho

Importante: limpe a abertura do moinho a cada 1 a 2 semanas para evitar obstruções com café moído. Pode fazê-lo rápida e facilmente ao seguir os passos abaixo.

Nota: certifique-se de que o recipiente para grãos de café está vazio antes de iniciar o procedimento de limpeza.

- 1 Prima o botão ligar/desligar para desligar o aparelho (Fig. 14).
- 2 Abra o suporte do cesto porta-filtro (Fig. 10).
- 3 Coloque um filtro de papel (do tipo 1x4 ou n.º 4) ou o filtro permanente no cesto (Fig. 11) porta-filtro.
- 4 Feche o suporte do cesto porta-filtro.
- 5 Utilize a extremidade da escova de limpeza da entrada dos grãos de café para abrir a tampa de abertura do moinho (Fig. 15).
- 6 Mantenha botão de limpeza do moinho premido durante 4 segundos (Fig. 16). O moinho inicia a autolimpeza.
- 7 Quando a limpeza do moinho parar, utilize a escova de limpeza da entrada dos grãos de café para limpar os resíduos de café moído para a parte inferior da abertura (Fig. 17). Os resíduos de café moído caem no cesto porta-filtro.
- 8 Feche a tampa da abertura do moinho.
- 9 Retire o filtro de papel ou o filtro permanente com os resíduos de café moído.

Descalcificação da máquina de café

Descalcifique a máquina de café quando notar formação excessiva de vapor ou quando o tempo de preparação aumentar. É aconselhável descalcificar a máquina de café a cada dois meses. Utilize apenas vinagre branco para eliminar o calcário, visto que outros produtos podem causar danos na máquina de café. Para mais informações sobre a descalcificação, consulte www.philips.com/descale-coffeemaker.

Aviso: Never use vinegar with an acetic acid content of 8% or more, natural vinegar, powder descalers or tablet descalers to descale the appliance, as this may cause damage.

- 1 Abra a tampa do reservatório de água.
- 2 Encha o reservatório de água até à indicação para 10 chávenas com vinagre branco (4% de ácido acético).
- 3 Coloque um filtro de papel (do tipo 1x4 ou n.º 4) ou o filtro permanente no cesto porta-filtro e feche o suporte do cesto porta-filtro.
- 4 Coloque o jarro vazio no aparelho.
- 5 Introduza a ficha de alimentação na tomada elétrica.
- 6 Prima o botão ligar/desligar para ligar o aparelho (Fig. 5). O visor acende-se.
- 7 Prima o botão de seleção da intensidade e rode o botão de controlo para escolher a regulação (Fig. 6) do café pré-móido.
- 8 Prima o centro do botão de controlo para confirmar (Fig. 7).
- 9 Prima o centro do botão de controlo novamente para iniciar o processo de preparação de café.
- 10 Aguarde até metade do vinagre passar para o jarro. Em seguida, prima o botão ligar/desligar para interromper o processo de preparação de café. Deixe o vinagre atuar durante 15 minutos, no mínimo.
- 11 Prima o botão ligar/desligar para voltar a ligar a máquina de café.
- 12 Prima o centro do botão de controlo duas vezes para deixar o aparelho concluir o processo de preparação de café (Fig. 18).
- 13 Esvazie o jarro e retire o filtro de papel ou o filtro permanente com os resíduos de calcário.
- 14 Encha o reservatório com água limpa e fria, e prima o centro do botão de controlo duas vezes para iniciar outro processo de preparação de café (Fig. 18). Deixe a máquina de café concluir o processo de preparação de café e esvazie o jarro.

Nota: se necessário, repita o passo 14 até a água que sai do aparelho não apresentar um sabor ou odor a vinagre.

- 15 Lave o cesto porta-filtro e o jarro com água quente e um pouco de detergente da loiça.
- 16 Prima o botão ligar/desligar na parte frontal do aparelho para desligar o aparelho (Fig. 14).

Garantia e assistência

Se precisar de informações ou assistência, visite www.philips.com/support ou leia o folheto da garantia internacional.

Encomendar acessórios

Para comprar acessórios ou peças sobresselentes, visite www.shop.philips.com/service ou dirija-se ao seu revendedor Philips. Também pode contactar o Centro de Apoio ao Cliente da Philips no seu país (consulte os dados de contacto no folheto de garantia mundial).

Reciclagem

- Este símbolo significa que este produto não deve ser eliminado juntamente com os resíduos domésticos comuns (2012/19/UE) (Fig. 19).
- Cumpra as regras nacionais de recolha seletiva de produtos elétricos e eletrónicos. A eliminação correta ajuda a evitar consequências prejudiciais para o meio ambiente e a saúde pública.

Resolução de problemas

Este capítulo resume os problemas mais comuns que pode ter com o aparelho. Se não conseguir resolver o problema com as informações fornecidas a seguir, visite www.philips.com/support para consultar uma lista de perguntas frequentes ou contacte o Centro de Apoio ao Cliente no seu país.

Problema	Solução
O aparelho não funciona.	Ligue a ficha de alimentação à tomada elétrica e prima o botão ligar/desligar para ligar o aparelho.
	Certifique-se de que a voltagem indicada no aparelho corresponde à voltagem elétrica local.
	Encha o reservatório com água.
	Feche a tampa da abertura do moinho.
O moinho não funciona ou não funciona corretamente.	Certifique-se de que não selecionou o café pré-moído. Se o símbolo de café pré-moído for visível no visor, é porque selecionou o café pré-moído.
	Limpe a abertura do moinho ao seguir as instruções (consultar 'Limpar a abertura do moinho').
Quando utilizo o moinho, o café fica demasiado fraco.	Assegure-se de que o número de chávemas selecionado corresponde à quantidade de água no reservatório de água. lembre-se de que a máquina de café utiliza toda a água no reservatório de água.
	Utilize o botão de intensidade para regular a intensidade do café para "forte".
	Utilize grãos de café de uma mistura ou com um sabor mais forte.
Quando utilizo café pré-moído, o café fica demasiado fraco.	Assegure-se de que a quantidade de café pré-moído no filtro corresponde à quantidade de água no reservatório de água. Lembre-se de que o aparelho utiliza toda a água no reservatório de água.
	Utilize café moído de uma mistura ou com um sabor mais forte.
	Para aumentar a intensidade do café, aumente a quantidade de café pré-moído ou diminua a quantidade de água.
O filtro transborda quando retiro o jarro do aparelho enquanto o café está em preparação.	Se retirar o jarro durante mais de 20 segundos durante o processo de preparação de café, a função antipingos provoca o transbordo do cesto porta-filtro. Tenha também em atenção que o café não alcança o máximo de sabor antes do final do processo de preparação de café. Portanto, aconselhamos que não retire o jarro para servir café antes do final do processo de preparação do mesmo.

66 Português

O aparelho continua a pingar durante muito tempo depois do processo de preparação terminar.

Os pingos são provocados pela condensação de vapor. É perfeitamente normal que o aparelho pingue durante algum tempo.

Se os pingos não pararem, o sistema antipingos poderá estar obstruído. Para limpar o sistema antipingos, abra o suporte do cesto porta-filtro e retire o cesto porta-filtro. Enxague o cesto porta-filtro e o sistema antipingos em água corrente.

O café não está bem quente.

O café no jarro arrefece mais rapidamente se preparar apenas algumas chávenas. O café permanece quente durante mais tempo se preparar 10 chávenas, o que corresponde a um jarro cheio.

Descalcifique o aparelho (consultar 'Descalcificação da máquina de café').

O aparelho não começa a limpar a abertura do moinho.

Certifique-se de que o aparelho está ligado à corrente.

Abra a tampa da abertura do moinho antes de manter premido o botão de intensidade do café.

Mantenha o botão de intensidade do café premido durante 4 segundos até o moinho iniciar a autolimpeza.

O aparelho funciona, mas emite um sinal sonoro.

Verifique se a tampa da abertura do moinho está fechada corretamente.

Os grãos de café parecem acabar rapidamente.

Para preparar uma chávena de café perfeita, o aparelho precisa de uma determinada quantidade de café moído. A quantidade de grãos de café que o aparelho utiliza para obter a quantidade ideal de café moído por chávena é normal.

Johdanto

Onnittelut ostoksestasi – ja tervetuloa Philips-käyttäjien joukkoon! Saat parhaan mahdollisen hyödyn Philipsin palveluista rekisteröimällä tuotteesi osoitteessa www.philips.com/welcome.

Laitteen osat (kuva 1)

- 1 Suodatinkori
- 2 Tippalukko
- 3 Suodatinkorin teline
- 4 Vesimäärän ilmaisin
- 5 Vesisäiliön kansi
- 6 Kahvipapuseräiliön kansi
- 7 Jauhatuksen säätönuppi
- 8 Kahvipapuseräiliö
- 9 Kahvimyllykanavan kansi
- 10 Kahvimyllykanavan kannen lukko
- 11 Vedentäyttöaukko
- 12 Näyttö
- 13 Valmiiksi jauhetun kahvin kuvake
- 14 Kuppien määrä
- 15 Kahvikupin kuvake
- 16 Kahvin vahvuuden kahvipapukuvake
- 17 Kahvin vahvuuden valintapainike
- 18 Kahvimyllyn puhdistuspainike
- 19 Valitsin
- 20 Virtapainike
- 21 Lasikannun kansi
- 22 Lasikannu
- 23 Kahvipapukuilun puhdistusharja

Tärkeää

Vaara

- Älä upota laitetta veteen tai muuhun nesteeseen. Älä myöskään huuhtele sitä vesihanan alla.

Varoitus

- Tarkista, että laitteeseen merkitty käyttöjännite vastaa paikallista verkkojännitettä, ennen kuin liität laitteen pistorasiaan.
- Älä käytä laitetta, jos pistoke, johto tai itse laite on vaurioitunut.
- Jos virtajohto on vahingoittunut, se on oman turvallisuutesi vuoksi hyvä vaihdattaa Philipsin valtuuttamassa huoltoliikkeessä tai muulla ammattitaitoisella korjaajalla.
- Liitä laite maadoitettuun pistorasiaan.

- Laitetta voivat käyttää myös yli 8-vuotiaat lapset ja henkilöt, joiden fyysinen tai henkinen toimintakyky on rajoittunut tai joilla ei ole kokemusta tai tietoa laitteen käytöstä, jos heitä on neuvottu laitteen turvallisesta käytöstä tai tarjolla on turvallisen käytön edellyttämä valvonta ja jos he ymmärtävät laitteeseen liittyvät vaarat. Yli 8-vuotiaat lapset voivat puhdistaa tai huoltaa laitetta valvonnan alaisena. Pidä laite ja sen johto alle 8-vuotiaiden lasten ulottumattomissa.
- Lasten ei pidä leikkiä laitteella.
- Käytä tätä laitetta aina vain sille määritettyyn tarkoitukseen, jotta vältetään mahdolliset vaarat ja loukkaantumiset.
- Älä jätä virtajohtoa roikkumaan sen pöydän tai työtason reunan yli, jonka päällä laite on.
- Älä koske laitteen jauhimiin, kun laite on liitetty pistorasiaan.
- Älä koske kuumiin pintoihin laitteen ollessa päällä.
- Älä tyhjennä vesisäiliötä kallistamalla laitetta, koska se voi vahingoittaa laitetta. Tyhjennä laite (katso 'Laitteen huuhtelu') sen huuhtelemista koskevien ohjeiden mukaisesti.
- Jos et voi ratkaista ongelmatilannetta tämän käyttöohjeen ohjeiden avulla, ota yhteyttä Philipsin kuluttajapalvelukeskukseen. Jos ongelmaa ei voi ratkaista, toimita laite tutkittavaksi tai korjattavaksi Philipsin valtuuttamaan huoltoliikkeeseen. Älä yritä korjata laitetta itse, sillä se aiheuttaa takuun raukeamisen.

Varoitus

- Älä aseta laitetta kuumalle alustalle ja pidä huoli, ettei virtajohto kosketa mitään kuumaa pintaa.
- Älä sijoita kahvinkeitintä kaappiin, kun sitä ei käytetä.
- Irrota pistoke pistorasiasta ennen laitteen puhdistamista tai jos suodatuksen tai jauhamisen aikana ilmenee ongelmia.
- Suojaa pistoke ja pistorasia kosteudelta.
- Älä nosta ja siirrä laitetta käytön aikana.

- Kannu on kuuma kahvinkeiton aikana ja sen jälkeen. Pitele kannua aina kahvasta.
- Älä käytä kannua mikroaaltouunissa.
- Anna laitteen jäähtyä ennen säilytykseen asettamista. Lämpölevy ja kahvikannu saattavat olla kuumia.
- Kun olet poistanut laitteen pakkauksesta, varmista, että laite on ehjä ja kaikki osat ovat tallella. Jos et ole varma laitteen toiminnasta, älä käytä laitetta, vaan ota yhteyttä Philipsin kuluttajapalvelukeskukseen.
- Tämä laite on tarkoitettu vain tavalliseen kotitalouskäyttöön. Sitä ei ole tarkoitettu käytettäväksi myymälöiden, toimistojen, maatilojen tai muiden työympäristöjen henkilökuntaruokaloissa.

Sähkömagneettiset kentät (EMF)

Tämä laite (Philips) vastaa kaikkia sähkömagneettisille kentille (EMF) altistumista koskevia standardeja ja säännöksiä.

Käyttöönotto

Automaattisen sammutusajan asettaminen

Laitteen automaattista sammutusaikaa säätämällä voit valita, kuinka kauan haluat kahvin pysyvän kuumana sen valmistuksen jälkeen. Oletusarvoinen automaattinen sammutusaika on 30 minuuttia. Pisin mahdollinen automaattinen sammutusaika on 120 minuuttia. Voit säätää automaattista sammutusaikaa noudattamalla seuraavia ohjeita.

- 1 Varmista, että laitteen virta on katkaistu, mutta virtajohto on kytketty pistorasiaan.
- 2 Paina säätimen keskiosaa, kunnes näyttö alkaa vilkkua.
- 3 Voit pidentää tai lyhentää aikaa kiertämällä säädintä. 1 on 10 minuuttia, 2 on 20 minuuttia, 3 on 30 minuuttia ja niin edelleen, kunnes 12 on 120 minuuttia.
- 4 Vahvista automaattinen sammutusaika painamalla säätimen keskiosaa.

Huomautus: Laite tallentaa aina viimeisimmän asetuksen.

Laitteen huuhtelu

Huuhtele kahvinkeitin aina ennen ensimmäistä käyttöä.

- 1 Avaa vesisäiliön kansi. Täytä vesisäiliö raikkaalla kylmällä vedellä 8 kupin rajaan (kuva 2) asti.

Huomautus: Älä lisää kahvipapuja tai esijauhettua kahvia vesisäiliöön.

- 2 Sulje vesisäiliön kansi.
- 3 Aseta kannu laitteeseen (kuva 3).
- 4 Paina virtapainiketta (kuva 5). Näytön merkkivalot syttyvät, ja laitteesta kuuluu merkkiääni.
- 5 Paina kahvin vahvuuden valintapainiketta (kuva 4).

70 Suomi

- 6 Valitse valmiiksi jauhetun kahvin asetus (kuva 6) kiertämällä säädintä. Valmiiksi jauhetun kahvin kuvake alkaa vilkkua.
- 7 Vahvista (kuva 7) valinta painamalla säätimen keskiosaa.
- 8 Paina säätimen keskiosaa uudelleen. Laitte aloittaa huuhtelun.
- 9 Jätä laite käyntiin, kunnes huuhtelu on loppunut. Se on loppunut, kun laite lakkaa antamasta äänimerkkejä.
- 10 Tyhjennä kannu.
- 11 Katkaise laitteesta virta painamalla virtapainiketta.

Käyttö

Vesisäiliön täyttäminen

Laitteen vedenpinnan tason tarkistusikkunassa on merkinnät 2–10 kupille (275 – 1 375 ml). Pystyt arvioimaan vesisäiliöön laitettavan veden määrän käyttämällä näitä merkkejä. Heijastus muuttuu vaaleasta tummaksi jokaisen lisätyn vesikupillisen kohdalla.

- 1 Avaa vesisäiliön kansi ja kaada vesisäiliöön tarvittava määrä kylmää vettä (kuva 2).

Huomautus: Täytä vesisäiliö enintään 10 kupin merkkiin asti.

Huomautus: Varmista, että vesisäiliöön kaadettavan veden määrä vastaa valmistettavien kahvikupillisten määrää. Kahvinkeitin käyttää kaiken vesisäiliössä olevan veden.

Kahvipapujen käyttö

Varoitus: Pidä vesisäiliön kansi suljettuna, kun täytät kahvipapusäiliön kahvipavuilla, jotta kahvipavut eivät putoa vesisäiliöön ja tuki vedentäyttöaukkoa.

- 1 Avaa papusäiliön kansi (kuva 8).
- 2 Täytä säiliö kahvipavuilla. Varmista, että säiliössä on tarpeeksi kahvipapuja haluamasi kahvimäärän keittämiseen (kuva 9).

Huomautus: Varmista aina, että kahvipapusäiliö on ainakin puolillaan.

Varoitus: Älä käytä paahtamatonta kahvia tai sokeroituja papuja, jotta kahvimylly ei jumiudu. Käytä kahvipapuja espressopapujen sijaan, sillä espressopavut voivat vahingoittaa kahvimyllyä.

- 3 Avaa suodatinkorin teline (kuva 10).
- 4 Aseta suodatinpaperi (1x4 tai 4) tai keustosudatin suodatinkoriin (kuva 11).
- 5 Sulje suodatinkorin teline.
- 6 Valitse jauhatustyyppi (hienosta karkeaan) kiertämällä jauhatuksen valintasäädintä. Laitteessa on yhdeksän jauhatusasetusta (kuva 12).

Vinkki: Jauhatuksen valintasäätimellä voit valita yhdeksän eri asetusta. Kuvakkeilla on osoitettu kolme valmiiksi valittua optimaalista asetusta, mutta voit valita myös minkä tahansa asetuksen niiden väliltä. Kokeilemalla eri karkeusasetuksia saat selville, millä asetuksella saat mieleistäsi kahvia.

- 7 Paina kahvin vahvuuden painiketta (kuva 4). Kahvipapukuvakkeet alkavat vilkkua.
- 8 Valitse haluamasi kahvin vahvuus kiertämällä säädintä: 1 papu tarkoittaa mietoa kahvia, kaksi papua tarkoittaa keskivahvaa kahvia ja kolme papua tarkoittaa vahvaa kahvia.
- 9 Vahvista vahvuus (kuva 7) painamalla säätimen keskiosaa.

- 10** Valitse kupillisten määrä kiertämällä säädintä, kunnes näytössä (kuva 13) vilkkuu haluamiesi kupillisten määrä.

Huomautus: Muista, että kahvinkeitin käyttää kaiken vesisäiliössä olevan veden. Jos valitset vähemmän kupillisia kuin vettä, kahvista tulee aiottua laihempaa.

- 11** Vahvasta kupillisten (kuva 7) määrä painamalla säätimen keskiosaa.
12 Paina säätimen keskiosaa uudelleen. Laite antaa äänimerkin ja alkaa jauhaa tarvittavan määrän kahvipapuja. Kun kahvi on jauhettu, laite alkaa suodattaa kahvia.
13 Odota, kunnes kahvinkeitimestä ei enää kuulu äänimerkkejä, ennen kuin poistat kannun.

Huomautus: Suodatuksen jälkeen kahvipisaroita tippuu suodatinkorista muutamien sekuntien ajan.

- 14** Laite pitää kahvin kuumana, kunnes se sammuu automaattisesti. Jos et halua pitää kahvia kuumana, sammuta laite painamalla virtapainiketta.

Valmiiksi jauhetun kahvin käyttö

Jos haluat käyttää valmista kahvijauhetta kahvipapujen sijasta, noudata seuraavia ohjeita.

- 1 Avaa vesisäiliön kansi ja kaada vesisäiliöön tarvittava määrä kylmää vettä (kuva 2).
- 2 Avaa suodatinkorin teline (kuva 10).
- 3 Aseta suodatinpaperi (1x4 tai 4) tai kestosuodatin suodatinkoriin.
- 4 Pane kahvijauhetta suodatinpaperiin tai kestosuodattimeen.
- 5 Sulje suodatinkorin teline.
- 6 Aseta kannu laitteeseen (kuva 3).
- 7 Paina virtapainiketta (kuva 5). Näytön merkkivalot syttyvät.
- 8 Paina kahvin vahvuuden valintapainiketta (kuva 4).
- 9 Valitse valmiiksi jauhetun kahvin asetus (kuva 6) kiertämällä säädintä. Valmiiksi jauhetun kahvin kuvake syttyy.
- 10 Vahvista (kuva 7) valinta painamalla säätimen keskiosaa.
- 11 Käynnistä sen jälkeen suodatus painamalla säätimen keskiosaa uudelleen.
- 12 Odota, kunnes kahvinkeitimestä ei enää kuulu äänimerkkejä, ennen kuin poistat kannun.

Huomautus: Suodatuksen jälkeen kahvipisaroita tippuu suodatinkorista muutamien sekuntien ajan.

- 13** Laite pitää kahvin kuumana, kunnes se sammuu automaattisesti. Jos et halua pitää kahvia kuumana, sammuta laite painamalla virtapainiketta.

Tippalukkotoiminto

Tippalukon ansiosta voit ottaa kannun kahvinkeitimestä, ennen kuin kahvi on suodatettu kokonaan. Kun poistat kannun, tippalukko estää kahvin valumisen kannuun.

Huomautus: Suodatus ei keskeydy, kun otat kannun pois. Jos et laita kannua takaisin laitteeseen 20 sekunnin kuluessa, kahvi valuu suodatinkorista yli.

Puhdistus ja huolto

Laitteen puhdistus jokaisen käytön jälkeen

Älä upota laitetta veteen tai muuhun nesteeseen. Älä myöskään huuhtele sitä vesihanalla.

72 Suomi

- 1 Irrota pistoke pistorasiasta.
- 2 Pyyhi kahvinkeittimen ulkopuoli kostealla liinalla.
- 3 Pese suodatinkori ja kestosuodatin kuumalla astianpesuvedellä tai astianpesukoneessa.

Kahvimyllykanavan puhdistaminen

Tärkeää: Puhdista kahvimyllykanava 1–2 viikon välein, jotta jauhettu kahvi ei tuki sitä. Voit tehdä tämän helposti ja nopeasti toimimalla seuraavien ohjeiden mukaan.

Huomaus: Varmista, että kahvipapusailiö on tyhjä, ennen kuin aloitat puhdistuksen.

- 1 Katkaise laitteesta (kuva 14) virta painamalla virtapainiketta.
- 2 Avaa suodatinkorin teline (kuva 10).
- 3 Aseta suodatinpaperi (1x4 tai 4) tai kestosuodatin suodatinkoriin (kuva 11).
- 4 Sulje suodatinkorin teline.
- 5 Avaa kahvimyllykanavan kansi (kuva 15) kahvipapukuilun puhdistusharjan päällä.
- 6 Paina kahvimyllyn puhdistuspainiketta 4 sekuntia (kuva 16). Kahvimyllyn puhdistustoiminto käynnistyy.
- 7 Kun kahvimyllyn puhdistus on valmis, siirrä kahvijauheen jäämät kahvipapukuilun puhdistusharjalla kuilun (kuva 17) alaosaan. Kahvijauheen jäämät putoavat suodatinkoriin.
- 8 Sulje kahvimyllykanavan kansi.
- 9 Poista paperi- tai kestosuodatin, jossa on kahvijauheen jäämät.

Kalkinpoisto kahvinkeitimestä

Poista kalkki kahvinkeitimestä, kun huomaat liiallista höyryämistä tai kun suodatusaika pitenee. Suosittelemme kalkinpoistoa kahden kuukauden välein. Käytä kalkinpoistossa vain ruokaetikkaa, sillä muut tuotteet saattavat vahingoittaa kahvinkeitintä. Lisätietoja kalkinpoistosta on osoitteessa www.philips.com/descale-coffeemaker.

Varoitus: Älä koskaan käytä laitteen kalkinpoistoon etikkaa, jonka vahvuus on 8 % tai enemmän, luonnonetikkaa äläkä jauhe- tai tablettikalkinpoistoainetta, koska ne voivat aiheuttaa vaurioita.

- 1 Avaa vesisäiliön kansi.
- 2 Lisää vesisäiliöön ruokaetikkaa (4 % etikkaa) 10 kupin merkkiin asti.
- 3 Aseta suodatinpaperi (1x4 tai 4) tai kestosuodatin suodatinkoriin ja sulje suodatinkorin teline.
- 4 Aseta tyhjä kannu laitteeseen.
- 5 Työnnä pistoke pistorasiaan.
- 6 Käynnistä laite (kuva 5) painamalla virtapainiketta. Näytön merkkivalot syttyvät.
- 7 Valitse valmiiksi jauhetun kahvin asetus (kuva 6) painamalla kahvin vahvuuden valintapainiketta ja kiertämällä säädintä.
- 8 Vahvista (kuva 7) valinta painamalla säätimen keskiosaa.
- 9 Käynnistä suodatus painamalla säätimen keskiosaa uudelleen.
- 10 Odota, kunnes puolet etikasta on valunut kannuun. Keskeytä sitten suodatus painamalla virtapainiketta. Anna etikan vaikuttaa vähintään 15 minuuttia.
- 11 Käynnistä kahvinkeitin uudelleen painamalla virtapainiketta.
- 12 Paina säätimen keskiosaa kaksi kertaa ja anna keittimen suodattaa (kuva 18) koko vesimäärä.
- 13 Tyhjennä kannu ja poista paperi- tai kestosuodatin, jossa on kalkin jäänteet.

14 Täytä vesisäiliö raikkaalla kylmällä vedellä ja aloita toinen suodatus (kuva 18) painamalla säätimen keskiosaa kaksi kertaa. Anna kahvinkeittimen käydä koko suodatuksen ajan ja tyhjennä sitten kannu.

Huomautus: Toista vaihe 14 tarvittaessa, kunnes laitteesta suodattuva vesi ei enää maistu tai haise etikalle.

15 Puhdista suodatinkori ja kannu kuumalla vedellä ja muutamalla tipalla astianpesuainetta.

16 Sammuta keitin laitteen (kuva 14) etupuoella olevasta virtapainikkeesta.

Takuu ja tuki

Jos haluat tukea tai lisätietoja, käy Philipsin verkkosivuilla osoitteessa www.philips.com/support tai lue kansainvälinen takuulehtinen.

Tarvikkeiden tilaaminen

Voit ostaa tarvikkeita ja varaosia osoitteesta www.shop.philips.com/service ja Philips-jälleenmyyjiltä. Voit myös ottaa yhteyttä oman maasi Philips-asiakaspalveluun (eri maiden tukipuhelinnumerot on lueteltu takuulehtisessä).

Kierrätys

- Tämä merkki tarkoittaa sitä, että tätä tuotetta ei saa hävittää tavallisen kotitalousjätteen mukana (2012/19/EU) (kuva 19).
- Noudata oman maasi sähkö- ja elektroniikkalaitteiden kierrätystä ja hävittämistä koskevia sääntöjä. Asianmukainen hävittäminen auttaa ehkäisemään ympäristölle ja ihmisille koituvia haittavaikutuksia.

Vianmääritys

Tähän osaan on koottu tavallisimmat laitteen käytössä ilmenevät ongelmat. Ellet löydä ongelmaasi ratkaisua seuraavista tiedoista, lue osoitteesta www.philips.com/support vastauksia usein kysytyihin kysymyksiin tai ota yhteys maasi asiakaspalveluun.

Ongelma	Ratkaisu
Laite ei toimi.	Liitä virtapistoke pistorasiaan ja kytke laitteeseen virta painamalla virtapainiketta.
	Varmista, että laitteen jännitemerkintä vastaa paikallista verkkojännitettä.
	Täytä vesisäiliö vedellä.
	Sulje kahvimyllykanavan kansi.
Kahvimylly ei toimi tai se ei toimi kunnolla.	Varmista, että et ole valinnut esijauhettua kahvia. Jos näytössä näkyy esijauhetun kahvin symboli, olet valinnut esijauhetun kahvin.
	Puhdista kahvimyllykanava toimimalla ohjeiden (katso "Kahvimyllykanavan puhdistaminen") mukaan.

74 Suomi

Kun käytän kahvimyllyä, kahvi on liian mietoa.	Varmista, että valitsemasi kupillisten määrä vastaa vesisäiliössä olevan veden määrää. Muista, että kahvinkeitin käyttää kaiken vesisäiliössä olevan veden.
	Aseta kahvin vahvuuden painikkeella kahvin vahvuudeksi vahva.
	Käytä vahvempia kahvipapuja.
Kun käytän kahvijauhetta, kahvi on liian mietoa.	Varmista, että kahvijauheen määrä suodattimessa vastaa vesisäiliössä olevan veden määrää. Muista, että laite käyttää kaiken vesisäiliössä olevan veden.
	Käytä vahvempaa kahvijauhetta.
	Lisää kahvin vahvuutta lisäämällä kahvijauheen määrää tai vähentämällä veden määrää.
Kahvi valuu suodattimesta yli, kun kannu poistetaan laitteesta suodatuksen aikana.	Jos poistat kannun keittimestä yli 20 sekunniksi suodatuksen aikana, tippalukko aiheuttaa sen, että suodatinkori täyttyy ja valuu yli. Huomioi myös, että kahvin täyteläinen maku muodostuu vasta suodatuksen loppuvaiheessa. Siksi kannua ei kannata poistaa ja kahvia kaataa kuppiin, ennen kuin suodatus on valmis.
Laitteesta tippuu kahvia pitkään suodatuksen jälkeen.	Tippuminen johtuu höyryn tiivistymisestä. On normaalia, että kahvipisaroita tippuu jonkin aikaa.
	Jos tippuminen jatkuu, tippalukko voi olla tukossa. Voit puhdistaa tippalukon avaamalla suodatinkorin telineen ja poistamalla suodatinkorin. Huuhtelee suodatinkori ja tippalukko juoksevalla vedellä.
Kahvi ei ole tarpeeksi kuumaa.	Kahvi jäähtyy kannussa nopeammin, jos valmistat vain muutaman kupillisen kahvia. Kahvi säilyy kuumana pidempään, jos keität 10 kupillista eli täyden kannun kahvia.
	Poista kalkki laitteesta (katso 'Kalkinpoisto kahvinkeitimestä').
Kahvinkeitin ei puhdistu kahvimyllykanavaa.	Varmista, että pistoke on pistorasiassa.
	Avaa kahvimyllykanavan kansi, ennen kuin painat kahvin vahvuuden painiketta.
	Paina kahvin vahvuuden painiketta 4 sekunnin ajan, kunnes puhdistus alkaa.
Laite toimii, mutta siitä kuuluu merkkiäänä.	Tarkista, onko kahvimyllykanavan kansi kunnolla kiinni.
Kahvipavut näyttävät kuluvan nopeasti.	Laite tarvitsee täydellisen kahvikupillisen valmistukseen tietyn määrän jauhettua kahvia. Laite käyttää normaalin määrän kahvipapuja, jotta se saa optimaalisen määrän jauhettua kahvia kupillista kohti.

Introduktion

Grattis till ditt inköp och välkommen till Philips! Få ut mesta möjliga av den support Philips erbjuder genom att registrera din produkt på www.philips.com/welcome.

Allmän beskrivning (bild 1)

- 1 Filterkorg
- 2 Droppstopp
- 3 Filterkorghållare
- 4 Vattennivåindikator
- 5 Lock till vattenbehållaren
- 6 Lock till behållare för kaffeböner
- 7 Grovleksvred
- 8 Behållare för kaffeböner
- 9 Lock till kvarntratten
- 10 Lås för locket till kvarntratten
- 11 Hål för vattenpåfyllning
- 12 Teckenfönster
- 13 Ikon för förmålet kaffe
- 14 Antal koppar
- 15 Kaffekoppsikon
- 16 Ikon för val av kaffebönstyrka
- 17 Knapp för val av styrka
- 18 Kvarnrengöringsknapp
- 19 Kontrollvred
- 20 På/av-knapp
- 21 Lock till glaskanna
- 22 Glaskanna
- 23 Rengöringsborste till rännan för kaffeböner

Viktigt

Fara

- Sänk aldrig ned apparaten i vatten eller någon annan vätska och skölj den inte under kranen.

Varning

- Kontrollera att den spänning som anges på apparaten överensstämmer med den lokala nätspänningen innan du ansluter apparaten.
- Använd inte apparaten om stickkontakten, nätsladden eller själva apparaten är skadad.
- Om nätsladden är skadad måste den alltid bytas ut av Philips, något av Philips auktoriserade serviceombud eller liknande behöriga personer för att undvika olyckor.

- Anslut apparaten till ett jordat vägguttag.
- Den här apparaten kan användas av barn som är 8 år eller äldre och av personer med olika funktionshinder eller som inte har kunskap om hur apparaten används, så länge de övervakas och får instruktioner angående säker användning och förstår riskerna som medföljer. Rengöring och underhåll får inte utföras av barn om de inte är över åtta år och övervakas av en vuxen person. Se till att apparaten och dess sladd är utom räckhåll för barn under 8 år.
- Barn ska inte leka med apparaten.
- Använd endast apparaten för avsett ändamål för att undvika potentiell fara eller skada.
- Se till att nätsladden inte hänger över kanten på bordet eller arbetsbänken där apparaten står.
- Vidrör inte kaffebyggarens kvarnar, särskilt inte när den är ansluten till ett vägguttag.
- Rör inte vid apparatens varma delar när den används.
- Töm inte vattenbehållaren genom att luta apparaten, då det kan skada apparaten. Töm apparaten enligt sköljningsinstruktionerna (se 'Skölja igenom kaffebyggaren').
- Om ett problem uppstår som du inte kan lösa med hjälp av den här användarhandboken kontaktar du Philips kundtjänst i ditt land. Om problemet fortfarande inte kan lösas tar du med apparaten till ett av Philips auktoriserade serviceombud för undersökning och reparation. Försök inte reparera apparaten själv. Om du gör det upphör garantin att gälla.

Varning!

- Placera inte apparaten på en varm yta, och förhindra att nätsladden kommer i kontakt med varma ytor.
- Placera inte kaffebyggaren i ett skåp när den används.
- Dra ur sladden om problem uppstår under malning eller brygning och innan du rengör apparaten.
- Utsätt inte stickkontakten eller vägguttaget för väta.

- Lyft eller flytta inte apparaten medan den är igång.
- Kannan är het under och efter bryggning. Håll alltid i kannans handtag.
- Använd aldrig kannan i mikrovågsugnen.
- Vänta tills apparaten har svalnat innan du lägger undan den. Värmeplattan och kaffekannan kan vara varma.
- Se till att alla delar är med och att apparaten inte är skadad när du har packat upp den. Om du känner dig osäker ska du inte använda apparaten utan kontakta Philips kundtjänst i ditt land.
- Den här bryggaren är endast avsedd för normalt hushållsbruk. Den är inte avsedd för användning i miljöer som personalkök i verkstäder, på kontor eller i andra arbetsmiljöer.

Elektromagnetiska fält (EMF)

Den här Philips-apparaten uppfyller alla tillämpliga standarder och regler gällande exponering av elektromagnetiska fält.

Före första användningen

Inställning av tid för automatisk avstängning

Du kan välja hur länge du vill att kaffet är varmt genom att ställa in hur lång tid efter bryggning som kaffe-bryggaren stängs av. Standardtiden för automatisk avstängning är 30 minuter. Maxtiden för automatisk avstängning är 120 minuter. Justera tiden för automatisk avstängning genom att följa stegen nedan.

- 1 Se till att apparaten är avstängd men att stickkontakten sitter i vägguttaget.
- 2 Tryck in mitten av kontrollvredet tills teckenfönstret börjar blinka.
- 3 Vrid kontrollvredet för att öka eller minska tiden. 1 är 10 minuter, 2 är 20 minuter, 3 är 30 minuter och så vidare upp till 12 som är 120 minuter.
- 4 Tryck in mitten av kontrollvredet för att bekräfta tiden för automatisk avstängning.

Obs! Apparaten sparar alltid den senaste inställningen.

Skölja igenom kaffe-bryggaren

Skölj alltid igenom kaffe-bryggaren en gång före första användningen.

- 1 Öppna locket till vattenbehållaren. Fyll vattenbehållaren med rent kallvatten upp till 8-kopparsnivån (Bild 2).

Obs! Lägg inte i kaffe-bönor eller föroamlet kaffe i vattenbehållaren.

- 2 Stäng locket till vattenbehållaren.
- 3 Ställ kannan i apparaten (Bild 3).
- 4 Tryck på på/av-knappen (Bild 5). Teckenfönstret tänds och apparaten piper.

78 Svenska

- 5 Tryck på knappen för val av styrka (Bild 4).
- 6 Vrid kontrollvredet för att välja inställningen för förmålet kaffe (Bild 6). Ikonen för förmålet kaffe blinkar.
- 7 Tryck in mitten av kontrollvredet för att bekräfta (Bild 7).
- 8 Tryck in mitten av kontrollvredet igen. Apparaten påbörjar spolningsprocessen.
- 9 Kör apparaten tills spolningsprocessen har slutförts. Spolningen är klar när apparaten slutar pipa.
- 10 Töm kannan.
- 11 Stäng av apparaten genom att trycka på på/av-knappen.

Använda apparaten

Fylla på vattenbehållaren

Det finns markeringar för 2–10 koppar (275–1 375 ml) på vattennivåfönstret. Med hjälp av markeringarna kan du avgöra hur mycket vatten du ska hälla i vattenbehållaren. Avspeglingen ändras från ljus till mörk för varje kopp vatten du häller i.

- 1 Öppna locket till vattenbehållaren och fyll vattenbehållaren med den mängd kallt vatten som krävs (Bild 2).

Obs! Fyll inte vattenbehållaren över 10-koppsmarkeringen.

Obs! Kontrollera att den mängd vatten du häller i vattenbehållaren överensstämmer med antalet koppar du vill brygga. Allt vatten som finns i kaffebryggarens vattenbehållare används vid brygning.

Med kaffeböner

Varning! Håll alltid locket till vattenbehållaren stängt när du fyller behållaren för kaffeböner med kaffeböner. Annars kan kaffeböner ramla ner i vattenbehållaren och blockera påfyllningshålet för vatten.

- 1 Öppna locket till behållaren för kaffeböner (Bild 8).
- 2 Fyll behållaren med kaffeböner. Se till att det finns tillräckligt med kaffeböner i behållaren för mängden kaffe du vill brygga (Bild 9).

Obs! Se alltid till att behållaren för kaffeböner är minst halvfull.

Varning! Undvik orostade eller karamelliserade böner, de kan medföra att kvarnen kärvar. Använd kaffeböner istället för espressoböner eftersom espressoböner kan skada kvarnen.

- 3 Öppna filterkorghållaren (Bild 10).
- 4 Sätt i ett pappersfilter (1x4 eller nr 4) eller det permanenta filtret i filterkorgen (Bild 11).
- 5 Stäng filterkorghållaren.
- 6 Vrid på grovleksvredet för att välja önskad malningstyp (från fin till grov). Det finns nio malningsinställningar (Bild 12).

Tips! Med grovleksvredet kan du välja mellan nio olika inställningar. Ikonerna visar 3 förvalda optimala inställningar men du kan välja någon inställning mellan dem. Vi rekommenderar att du experimenterar med olika malningsinställningar för att se vilken du gillar bäst.

- 7 Tryck på knappen för val av styrka (Bild 4). Kaffebönsikonerna börjar blinka.

- 8 Vrid kontrollvredet för att välja önskad kaffestyrka: 1 böna för mildt kaffe, 2 bönor för medelstarkt kaffe eller 3 bönor för starkt kaffe.
- 9 Tryck in mitten av kontrollvredet för att bekräfta styrkan (Bild 7).
- 10 Välj antal koppar genom att vrida på kontrollvredet tills önskat antal koppar blinkar i teckenfönstret (Bild 13).

Obs! Tänk på att allt vatten som finns i kaffebryggarens vattenbehållare används vid brygning. Om du väljer ett antal koppar som är mindre än mängden vatten blir kaffet svagare än du tänkt.

- 11 Tryck in mitten av kontrollvredet för att bekräfta antalet koppar (Bild 7).
- 12 Tryck in mitten av kontrollvredet igen. Kaffe bryggaren pipar och börjar mala rätt mängd kaffeböner. När malningen är slutförd börjar kaffe bryggaren brygga kaffe.
- 13 Vänta tills kaffe bryggaren har slutat pipa innan du tar bort kannan.

Obs! När brygningen är klar droppar det kaffe från filterkorgen i några sekunder.

- 14 Kaffe bryggaren håller kaffet varmt tills den stängs av automatiskt. Om du inte behöver hålla kaffet varmt trycker du på på/av-knappen för att stänga av kaffe bryggaren.

Med förmalet kaffe

Om du vill använda förmalet kaffe i stället för kaffeböner följer du stegen nedan.

- 1 Öppna locket till vattenbehållaren och fyll vattenbehållaren med den mängd kallt vatten som krävs (Bild 2).
- 2 Öppna filterkorghållaren (Bild 10).
- 3 Sätt i ett pappersfilter (1x4 eller nr 4) eller det permanenta filtret i filterkorgen.
- 4 Fyll på med förmalet kaffe i pappersfiltret eller i det permanenta filtret.
- 5 Stäng filterkorghållaren.
- 6 Ställ kannan i apparaten (Bild 3).
- 7 Tryck på på/av-knappen (Bild 5). Teckenfönstret tänds.
- 8 Tryck på knappen för val av styrka (Bild 4).
- 9 Vrid kontrollvredet för att välja inställningen för förmalet kaffe (Bild 6). Ikonen för förmalet kaffe tänds.
- 10 Tryck in mitten av kontrollvredet för att bekräfta (Bild 7).
- 11 Tryck sedan in mitten av kontrollvredet igen för att påbörja brygningen.
- 12 Vänta tills kaffe bryggaren har slutat pipa innan du tar bort kannan.

Obs! När brygningen är klar droppar det kaffe från filterkorgen i några sekunder.

- 13 Kaffe bryggaren håller kaffet varmt tills den stängs av automatiskt. Om du inte behöver hålla kaffet varmt trycker du på på/av-knappen för att stänga av kaffe bryggaren.

Droppestopp

Tack vare droppestoppfunktionen kan du ta bort kannan från kaffe bryggaren innan brygningen är klar. När du tar bort kannan avbryter droppestoppet flödet av kaffe in i kannan.

Obs! Brygningen avbryts inte när du tar bort kannan. Om du inte ställer tillbaka kannan på sin plats inom 20 sekunder svämmar filterkorgen över.

Rengöring och underhåll

Rengöring efter varje användning

Sänk aldrig ned apparaten i vatten eller någon annan vätska och skölj den inte under kranen.

- 1 Ta ut stickkontakten ur vägguttaget.
- 2 Torka av kaffebryggarens utsida med en fuktig trasa.
- 3 Rengör filterkorgen och det permanenta filtret med varmt vatten och lite diskmedel eller diska dem i diskmaskinen.

Rengöra kvarntratten

Viktigt! Rengör kvarntratten varje eller varannan vecka för att förhindra att den täpps igen med malet kaffe. Detta gör du snabbt och enkelt genom att följa stegen nedan.

Obs! Se till att behållaren för kaffebönor är tom innan du startar rengöringsproceduren.

- 1 Stäng av apparaten genom att trycka på på/av-knappen (Bild 14).
- 2 Öppna filterkorghållaren (Bild 10).
- 3 Sätt i ett pappersfilter (1x4 eller nr 4) eller det permanenta filtret i filterkorgen (Bild 11).
- 4 Stäng filterkorghållaren.
- 5 Öppna locket till kvarntratten med ena änden av rengöringsborsten till rännan för kaffebönor (Bild 15).
- 6 Håll ned kvarnrengöringsknappen i 4 sekunder (Bild 16). Kvarnen börjar göra rent sig själv.
- 7 När kvarnen är färdig borstar du bort malna kafferester i den nedre delen av rännan med rengöringsborsten (Bild 17). Kafferesterna hamnar i filterkorgen.
- 8 Stäng locket till kvarntratten.
- 9 Ta bort pappersfiltret eller det permanenta filtret med kafferester.

Kalka av kaffebryggaren

Kalka av kaffebryggaren om det kommer ut mycket ånga eller om bryggningen tar längre tid. Vi rekommenderar att du kalkar av bryggaren varannan månad. Använd enbart ättika vid avkalkningen eftersom andra produkter kan skada kaffebryggaren. Mer information om avkalkning hittar du på www.philips.com/descale-coffeemaker.

Varning! Använd aldrig ättika med ättiksyra på över 8 %, naturlig vinäger, avkalkningspulver eller avkalkningstabletter till att avkalka bryggaren, eftersom det kan orsaka skada.

- 1 Öppna locket till vattenbehållaren.
- 2 Fyll vattenbehållaren med ättika (4 % ättiksyra) upp till 10-koppsmarkeringen.
- 3 Sätt i ett pappersfilter (1x4 eller nr 4) eller det permanenta filtret i filterkorgen och stäng filterkorghållaren.
- 4 Ställ den tomma kannan i kaffebryggaren.
- 5 Sätt in stickkontakten i vägguttaget.
- 6 Slå på apparaten genom att trycka på på/av-knappen (Bild 5). Teckenfönstret tänds.

- 7 Tryck på knappen för val av styrka och vrid på kontrollvredet för att välja den förvalda kaffeinställningen (Bild 6).
- 8 Tryck in mitten av kontrollvredet för att bekräfta (Bild 7).
- 9 Tryck in mitten av kontrollvredet igen för att påbörja bryggningen.
- 10 Vänta tills hälften av ättikan har runnit ned i kannan. Därefter avbryter du bryggningen genom att trycka på på/av-knappen. Låt ättikan verka i minst 15 minuter.
- 11 Tryck på på/av-knappen för att slå på kaffebyggaren igen.
- 12 Tryck in mitten av kontrollvredet två gånger för att låta apparaten avsluta bryggningen (Bild 18).
- 13 Töm kannan och ta bort pappersfiltret eller det permanenta filtret med kalkrester.
- 14 Fyll vattenbehållaren med rent kallvatten och tryck in mitten av kontrollvredet två gånger för att påbörja en ny bryggning (Bild 18). Låt kaffebyggaren slutföra hela bryggningen och töm kannan.

Obs! Om det behövs kan du upprepa steg 14 tills det vatten som kommer ut ur kaffebyggaren inte längre smakar eller luktar ättika.

- 15 Rengör filterkorgen och kannan med varmt vatten och lite diskmedel.
- 16 Tryck på på/av-knappen på kaffebyggarens framsida för att stänga av den (Bild 14).

Garanti och support

Om du behöver information eller support kan du besöka www.philips.com/support eller läsa den internationella garantibroschyren.

Beställa tillbehör

Du kan köpa tillbehör och reservdelar på www.shop.philips.com/service och hos din lokala Philips-återförsäljare. Du kan även kontakta Philips kundtjänst i ditt land (kontaktuppgifter hittar du i garantibroschyren).

Återvinning

- Den här symbolen betyder att produkten inte ska slängas bland hushållssoporna (2012/19/EU) (Bild 19).
- Följ ditt lands regler för återvinning av elektriska och elektroniska produkter. En korrekt hantering bidrar till att förhindra negativ påverkan på miljö och hälsa.

Felsökning

Det här kapitlet sammanfattar de vanligaste problemen som kan uppstå med apparaten. Om du inte kan lösa problemet med hjälp av informationen nedan kan du besöka www.philips.com/support och läsa svaren på vanliga frågor eller kontakta kundtjänsten i ditt land.

Problem	Lösning
Apparaten fungerar inte.	Sätt in stickkontakten i vägguttaget och tryck på på/av-knappen för att slå på apparaten.
	Kontrollera att den spänning som anges på apparaten överensstämmer med den lokala nätspänningen.
	Fyll vattenbehållaren med vatten.
	Stäng locket till kvarntratten.

82 Svenska

Kvarnen fungerar inte eller fungerar inte som den ska.	Se till att du inte har valt förmalet kaffe. Om symbolen för förmalet kaffe syns i teckenfönstret har du valt förmalet kaffe.
	Rengör kvarntratten enligt instruktionerna (se 'Rengöra kvarntratten').
När jag använder kvarnen blir kaffet för svagt.	Kontrollera att det antal koppar du väljer överensstämmer med mängden vatten i vattenbehållaren. Tänk på att allt vatten som finns i kaffebyggarens vattenbehållare används vid brygning.
	Välj starkare kaffe med knappen för val av kaffestyrka.
	Använd en starkare blandning eller kaffebönor med mer smak.
När jag använder förmalet kaffe blir kaffet för svagt.	Kontrollera att mängden förmalet kaffe i filtret överensstämmer med mängden vatten i vattenbehållaren. Tänk på att allt vatten som finns i kaffebyggarens vattenbehållare används vid brygning.
	Använd en starkare blandning eller malet kaffe med mer smak.
	Du kan öka kaffestyrkan genom att öka mängden förmalet kaffe eller minska mängden vatten.
Filtret svämmar över när jag tar bort kannan från apparaten under pågående brygning.	Om du tar bort kannan i mer än 20 sekunder under brygningen får droppstoppet filterkorgen att svämma över. Tänk även på att kaffet inte uppnår sin fullständiga smak förrän i slutet av brygningen. Vi rekommenderar därför att du inte tar bort kannan och håller upp kaffe förrän brygningen är klar.
Apparaten fortsätter droppa långt efter att brygningen är klar.	Droppandet beror på kondenserad ånga. Det är helt normalt att apparaten droppar ett tag.
	Om det inte slutar att droppa kan droppstoppet vara igensatt. Rengör droppstoppet genom att öppna filterkorghållaren och ta ur filterkorgen. Skölj filterkorgen och droppstoppet under rinnande vatten.
Kaffet är inte tillräckligt varmt.	Kaffet i kannan svalnar fortare om du bara brygger några koppar. Kaffet håller sig varmt längre om du brygger 10 koppar, vilket motsvarar en full kann.
	Avkalka kaffebyggaren (se 'Kalka av kaffebyggaren').
Apparaten börjar inte rengöra kvarntratten.	Kontrollera att apparaten är ansluten till vägguttaget.
	Öppna locket till kvarntratten innan du trycker på knappen för kaffestyrka.
	Håll knappen för val av kaffestyrka intryckt i 4 sekunder tills kvarnen börjar självrengöras.
Apparaten fungerar men ger ifrån sig ett pipjud.	Vänligen kontrollera om locket till kvarntratten är ordentligt stängt.
Det verkar som om kaffebönorna går åt snabbt.	För att brygga en perfekt kopp kaffe behöver apparaten en viss mängd malet kaffe. Den mängd kaffebönor apparaten använder för att få optimal mängd malet kaffe per kopp är normal.

