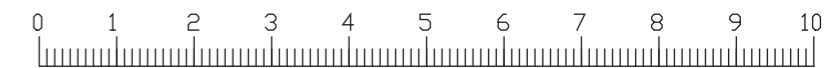
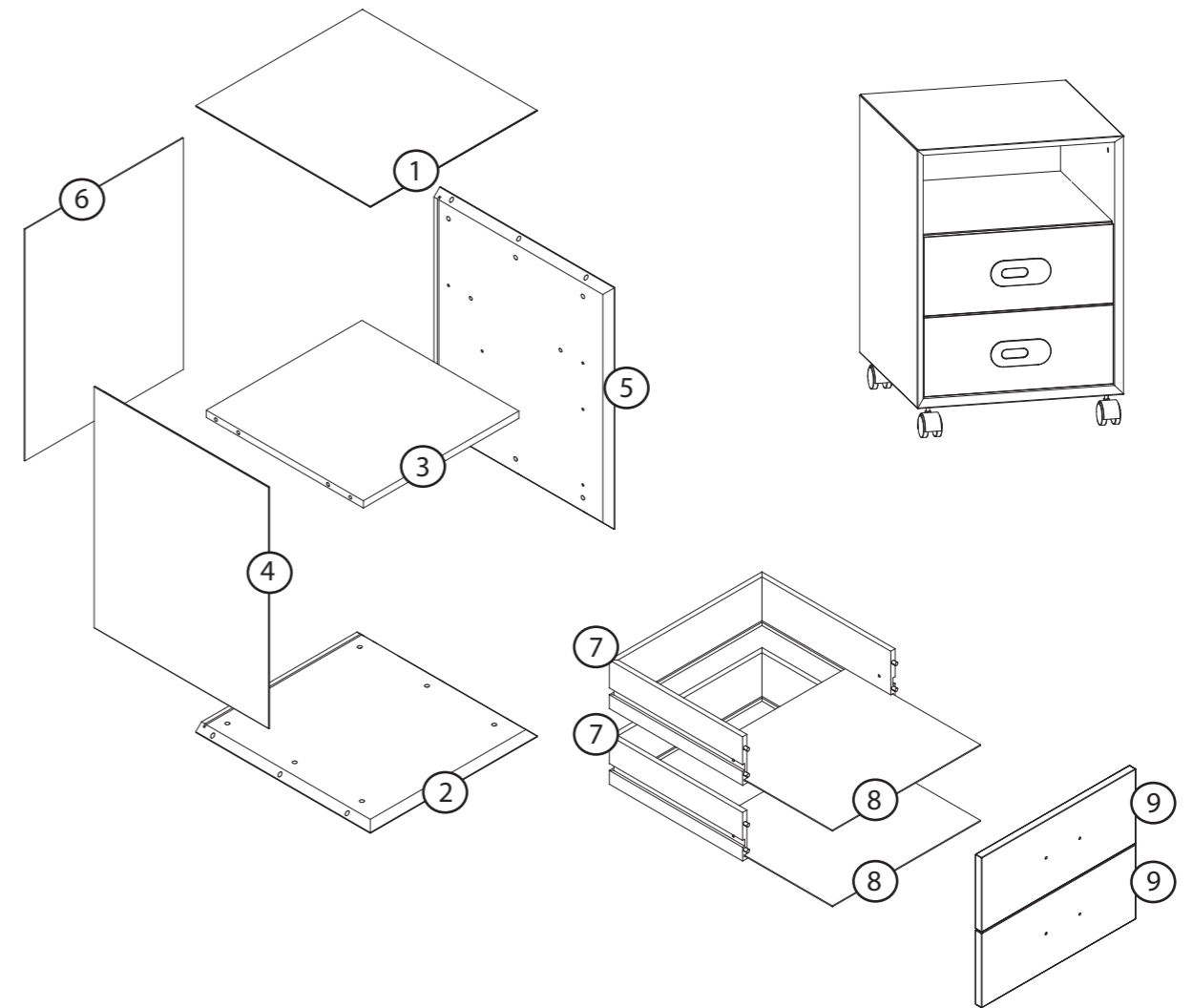
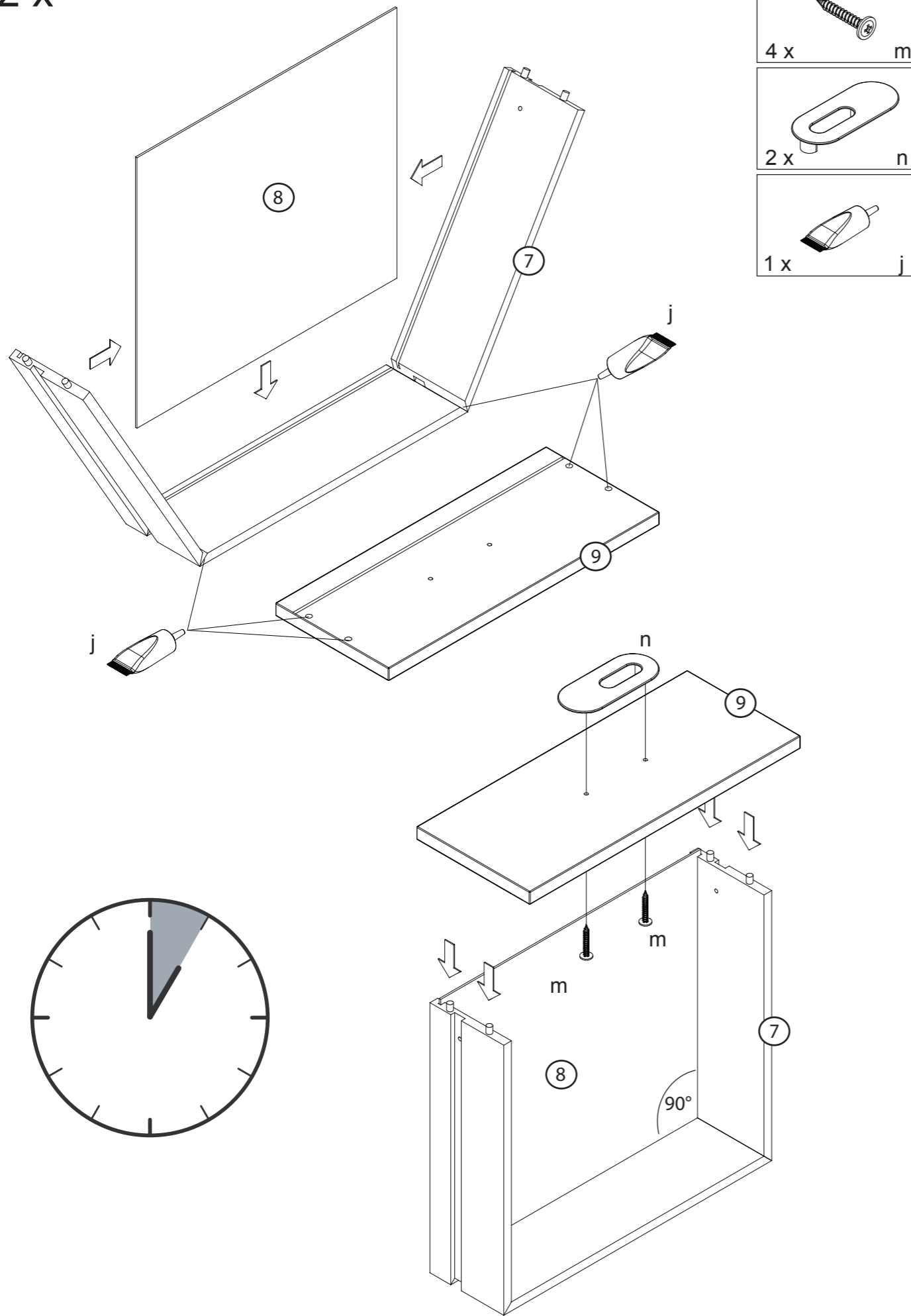


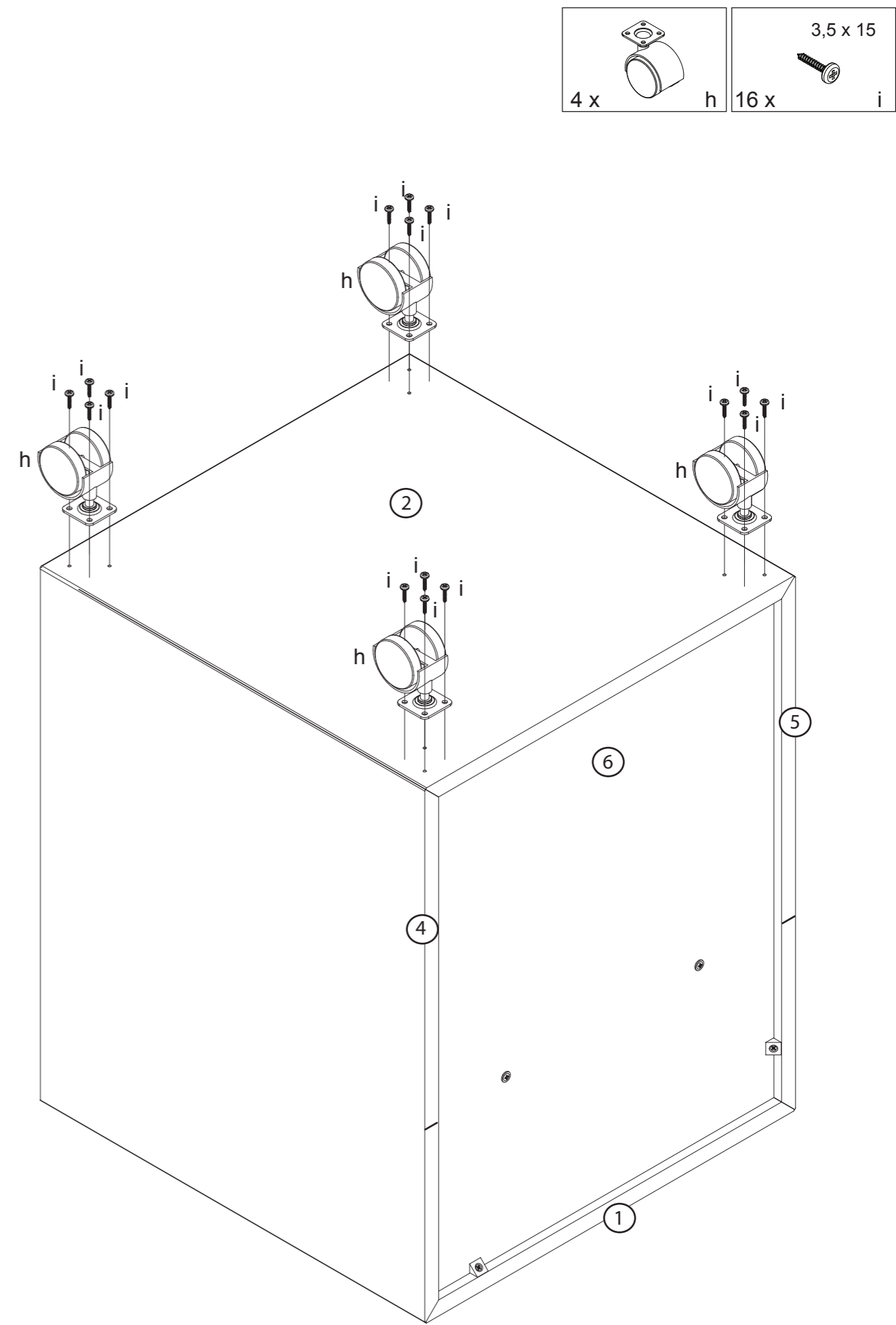
4 x a	4 x b	12 x c	24 x d	24 x e	4 x f
2 x 3,0 x 16 g	4 x h	16 x 3,5 x 15 i	1 x j	8 x 5,8 x 12 k	4 x M4 x 9 l
4 x 4,0 x 27 m	2 x n	4 x 8 x 30 o	4 x p		

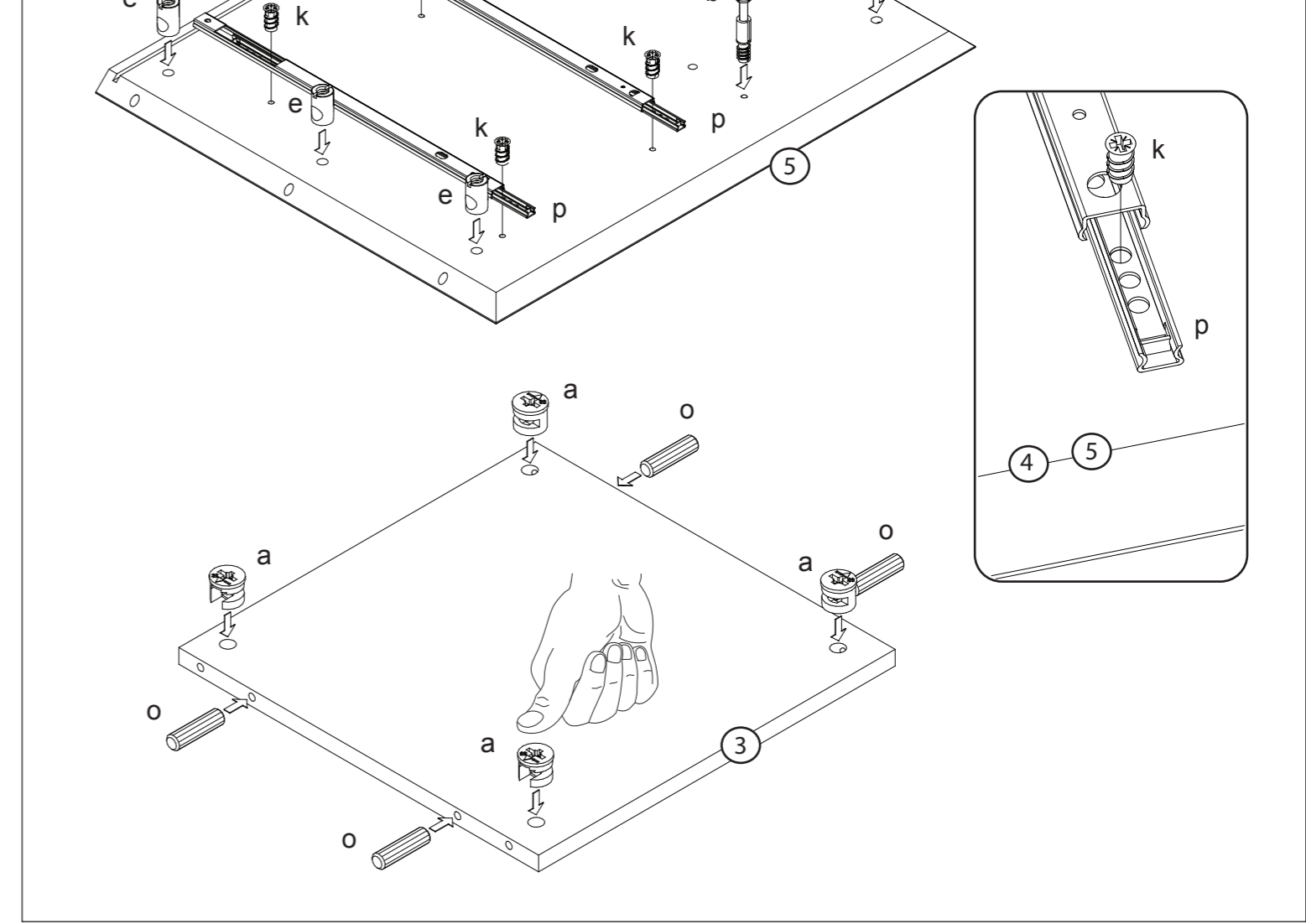
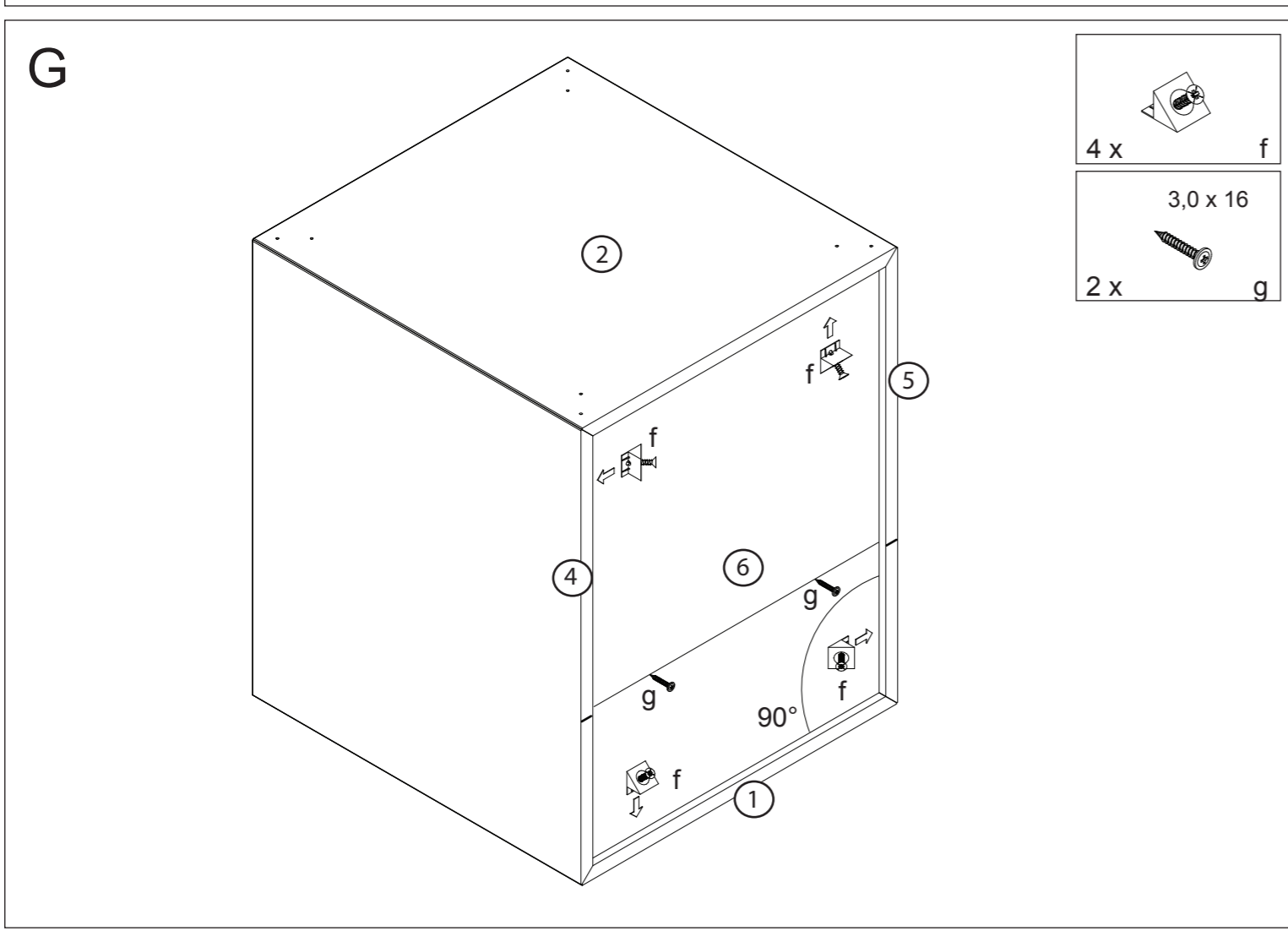
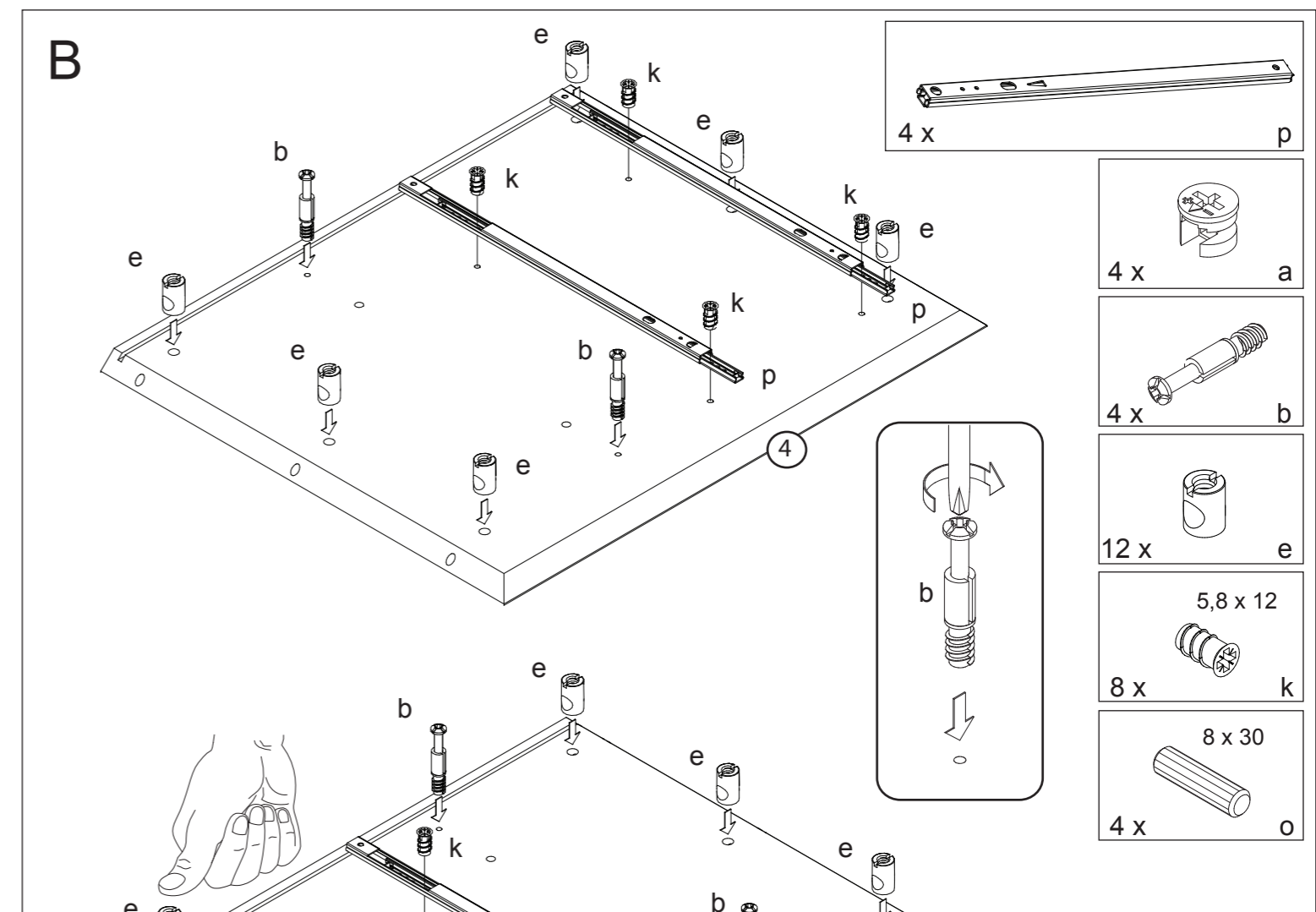
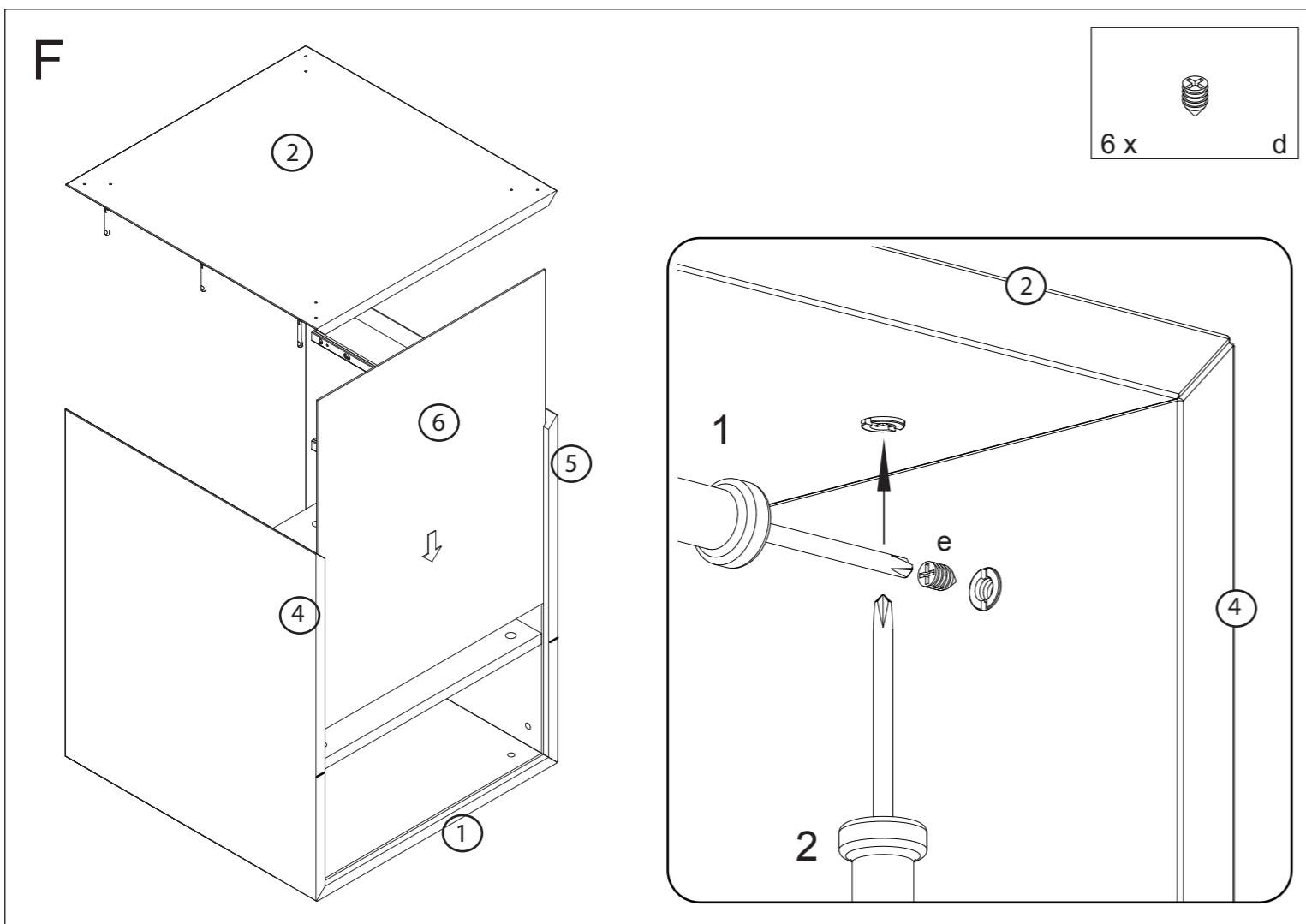


A 2 x

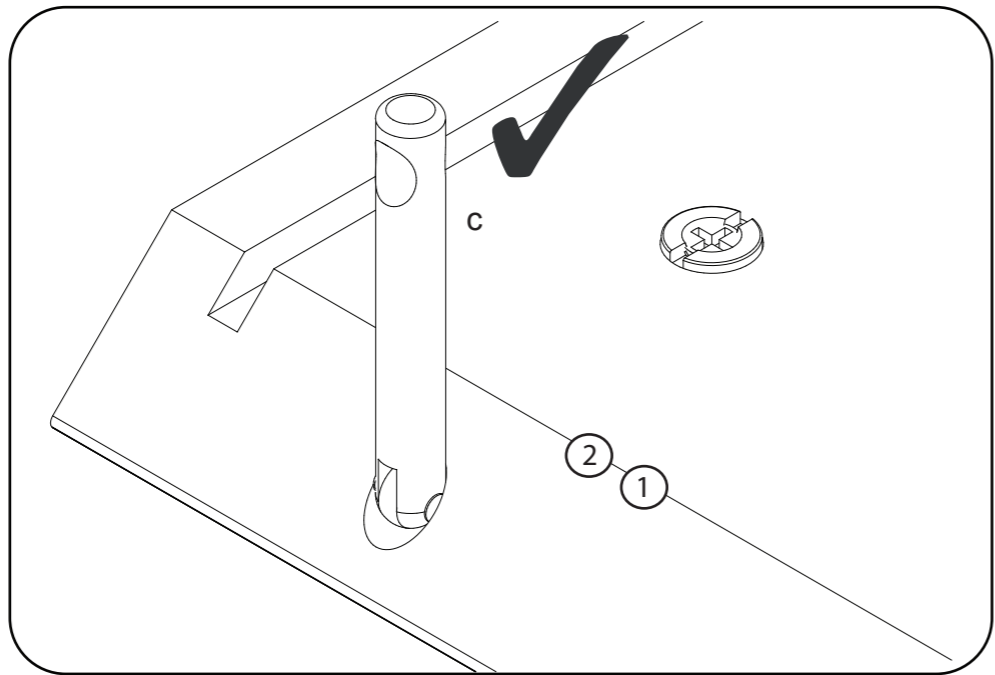
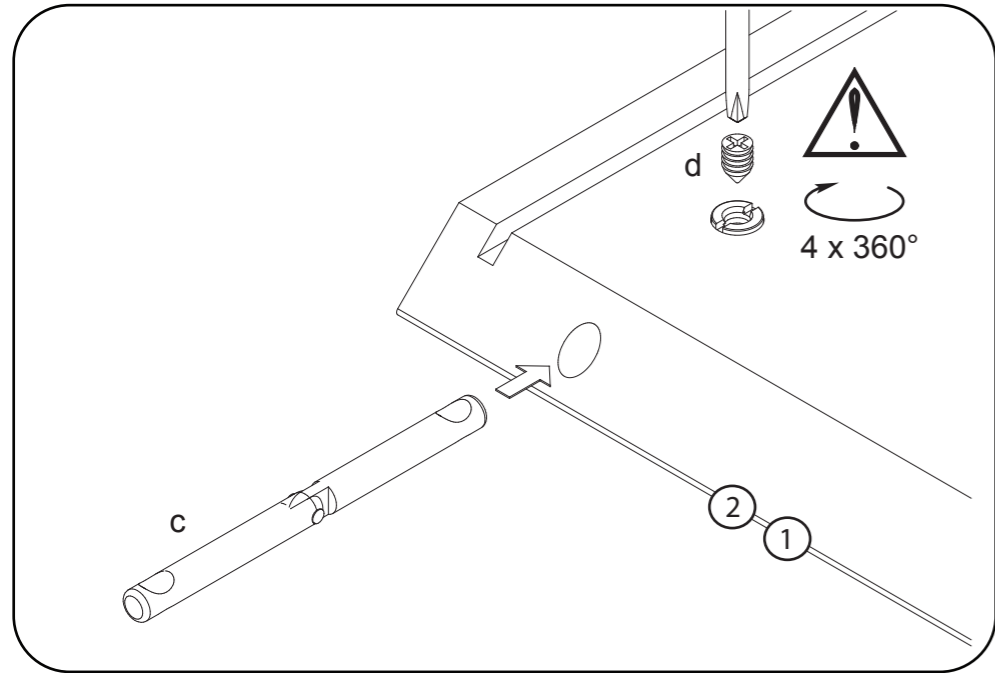
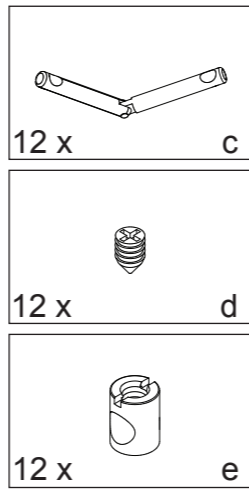
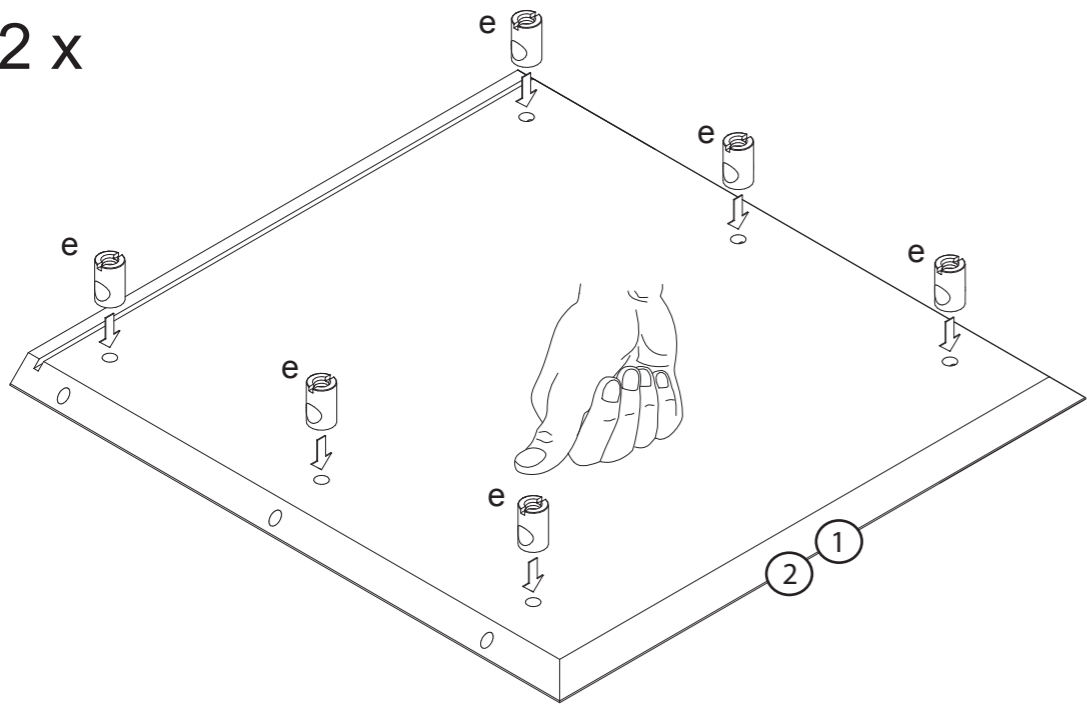


H

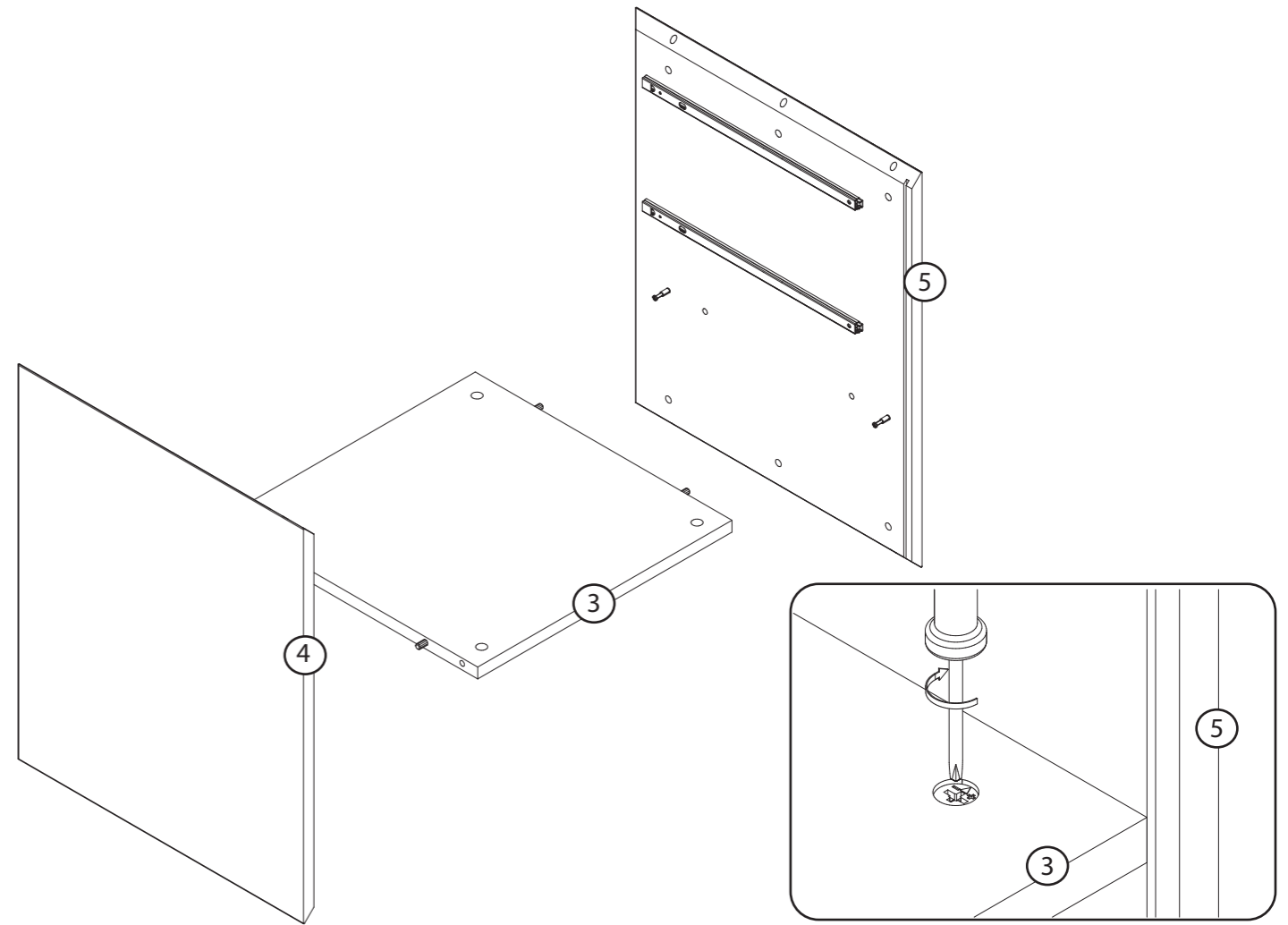




C 2 x



D



E

