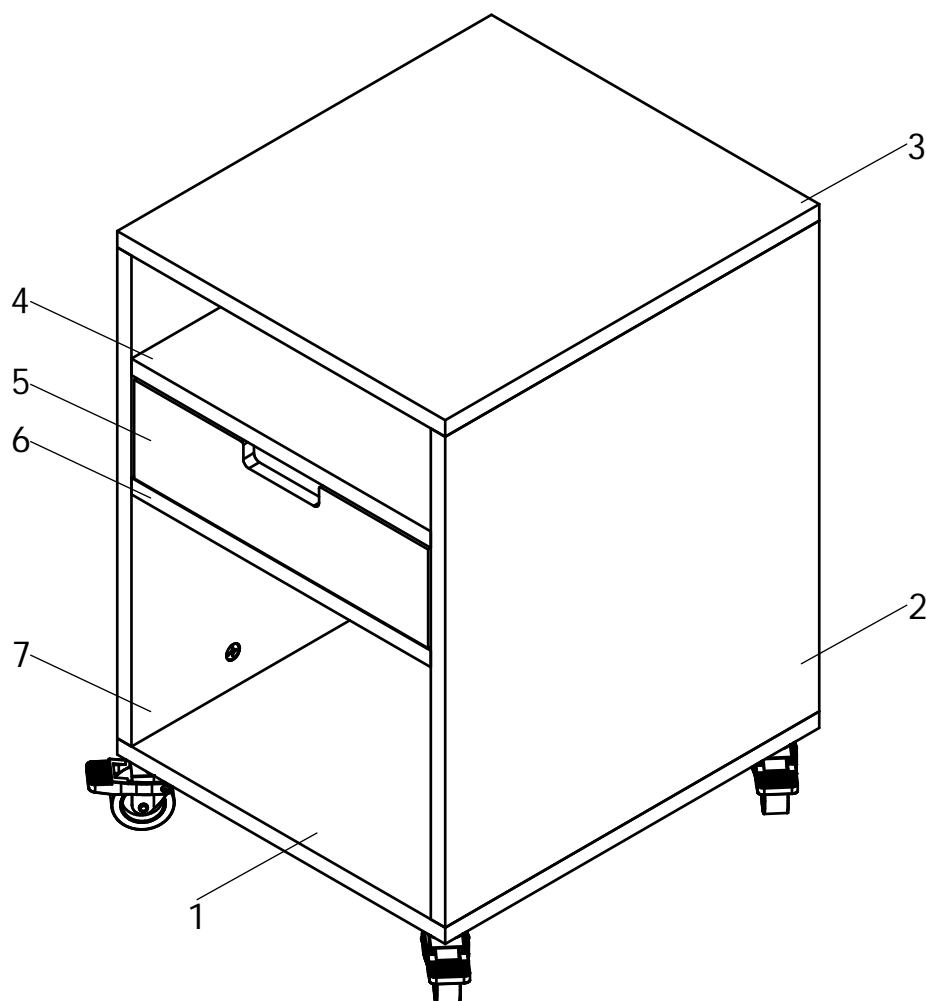


# bopita<sup>®</sup>

ASSEMBLY INSTRUCTION  
MONTAGE HANDLEIDING  
MONTAGE ANLEITUNG  
NOTICE DE MONTAGE  
MANUAL DE MONTAJE

UK  
NL  
D  
F  
ESP

MODEL : COMBIFLEX  
TYPE : DRAWERBLOCK ON WHEELS  
COLOUR : WHITE  
ART.CODE : 471146.11.






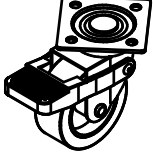


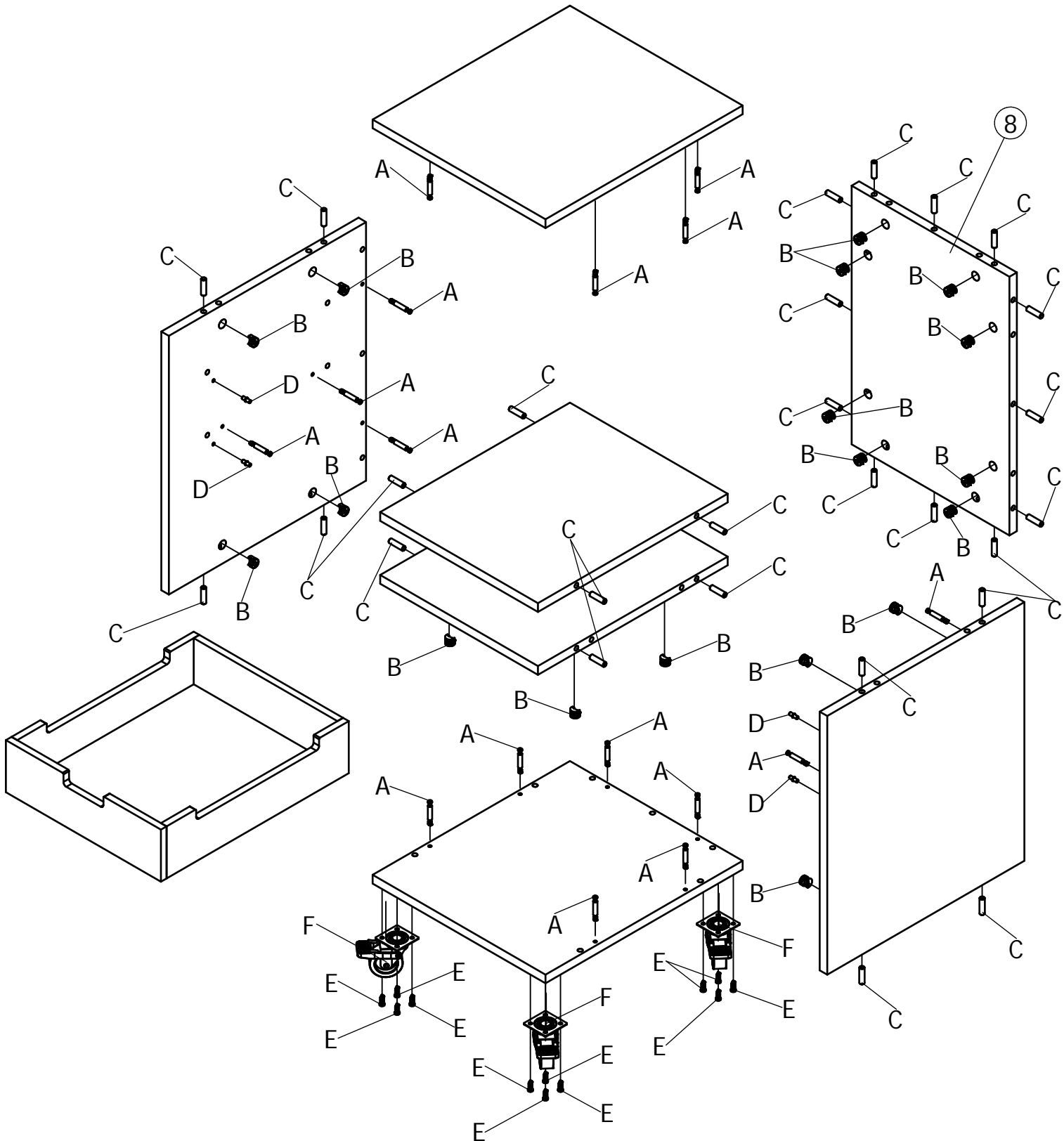
Distributor:

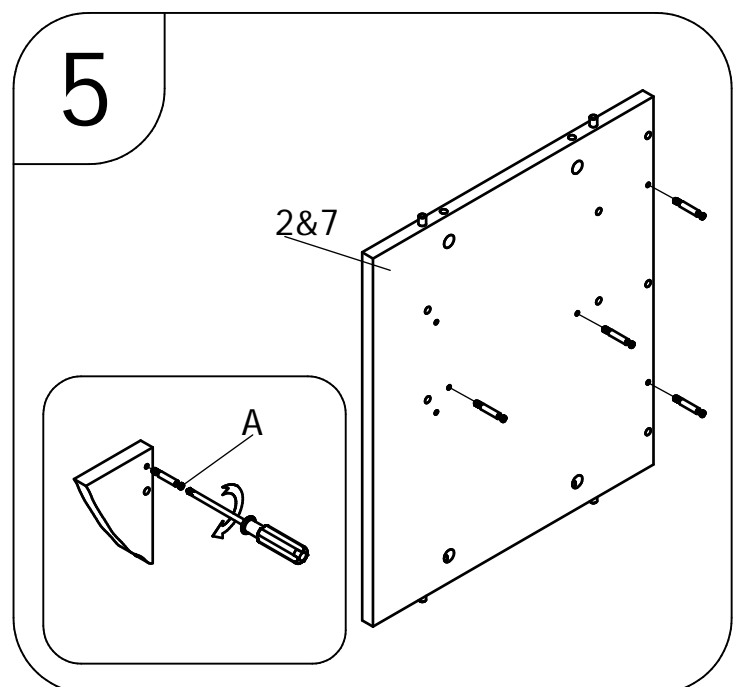
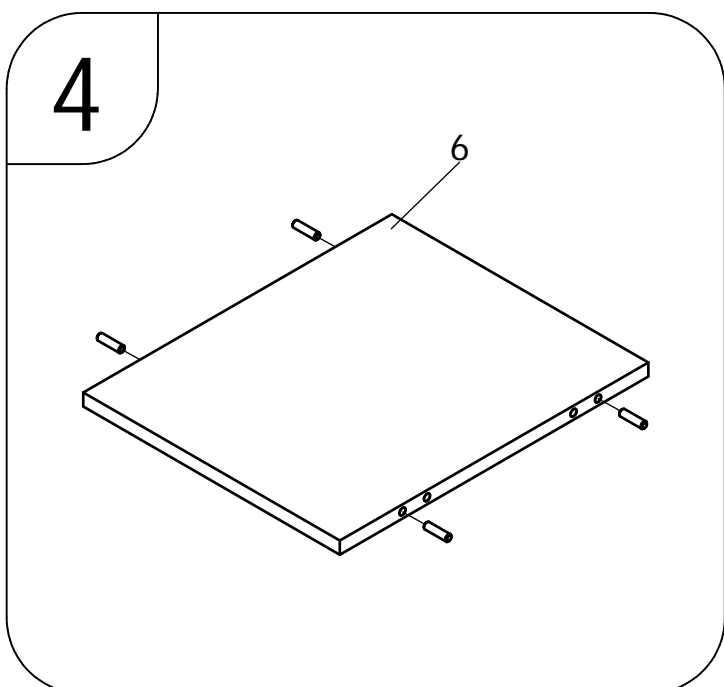
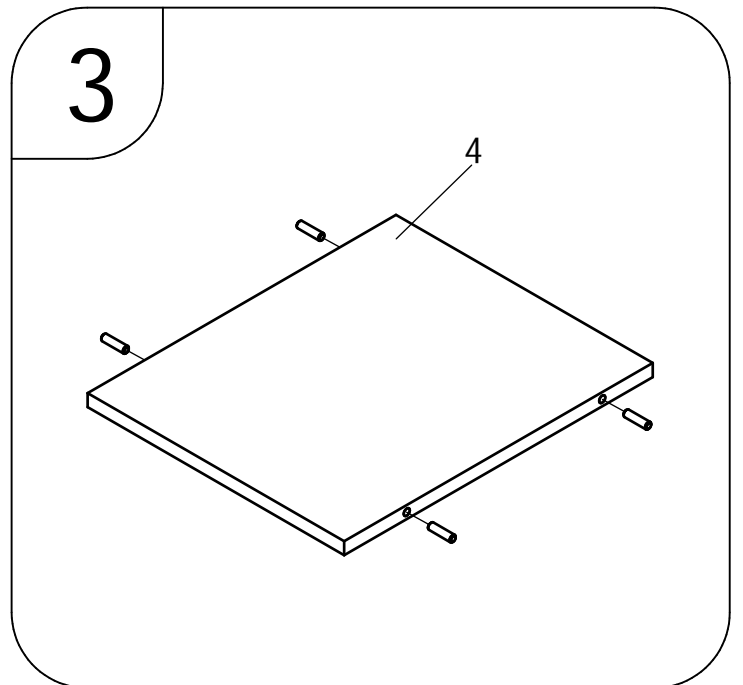
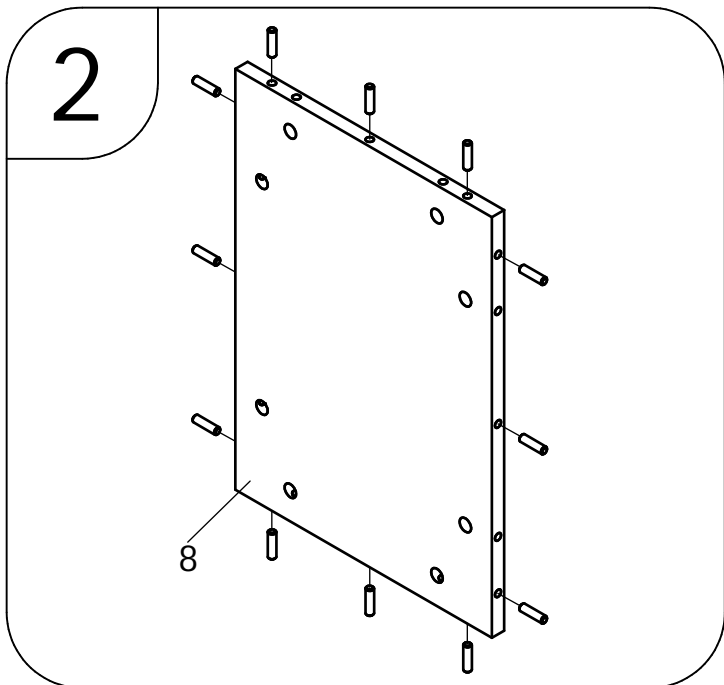
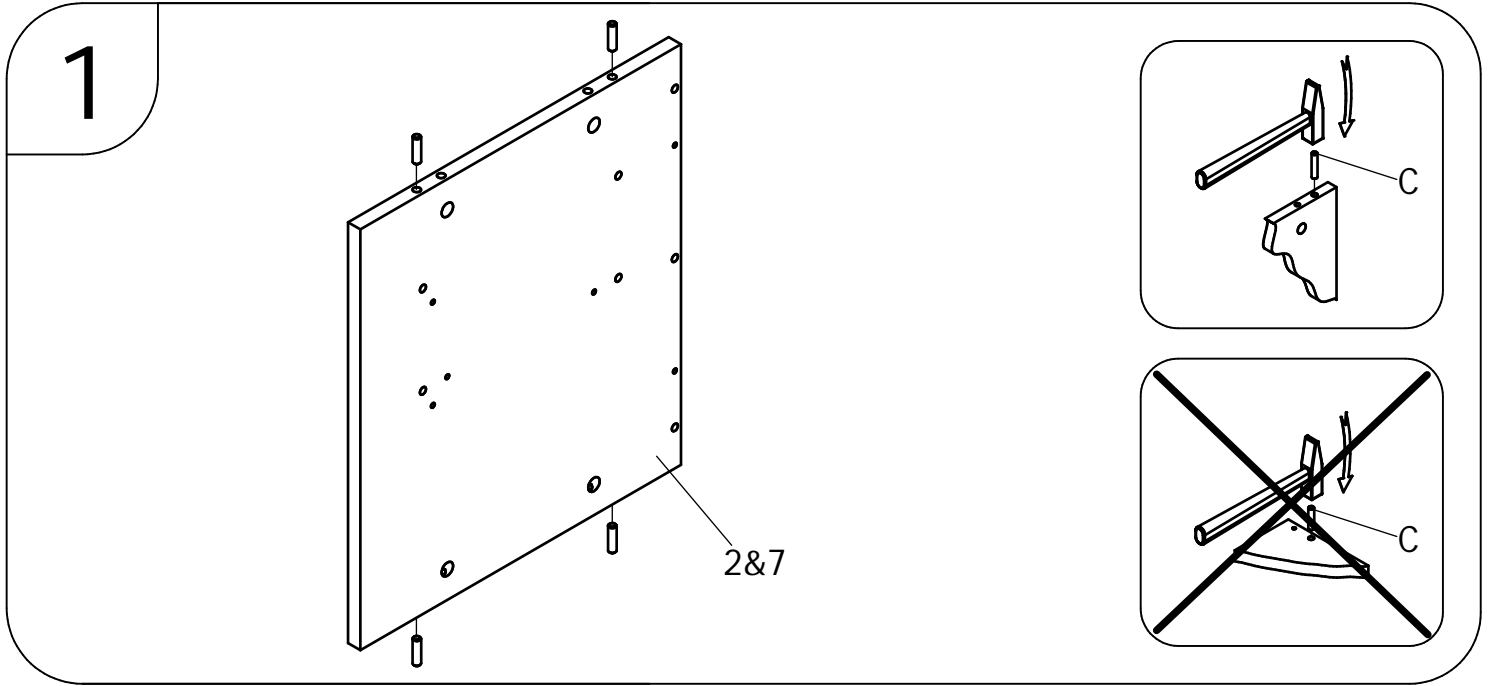
BOPITA  
Edisonweg 3, 6662 NW Elst  
The Netherlands

[www.bopita.com](http://www.bopita.com)

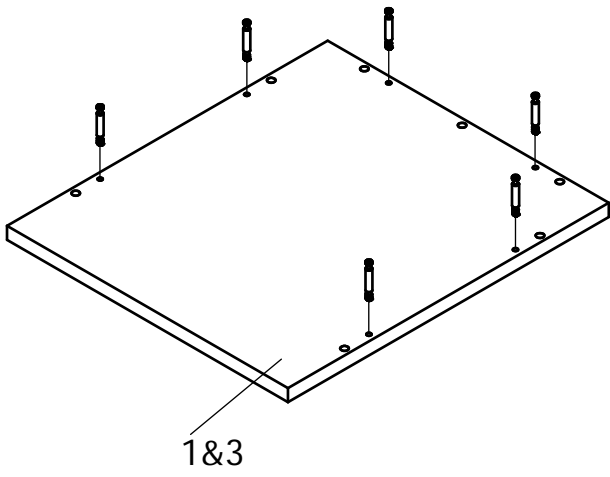
10.10.2011.

A  20X	B  20X	C  Ø8X30 28X	D  Ø5X16	E  4X4X16	F  16X 4X
artcode: 444003	artcode: 444005	artcode:	artcode: 441019	artcode: 431011	artcode:

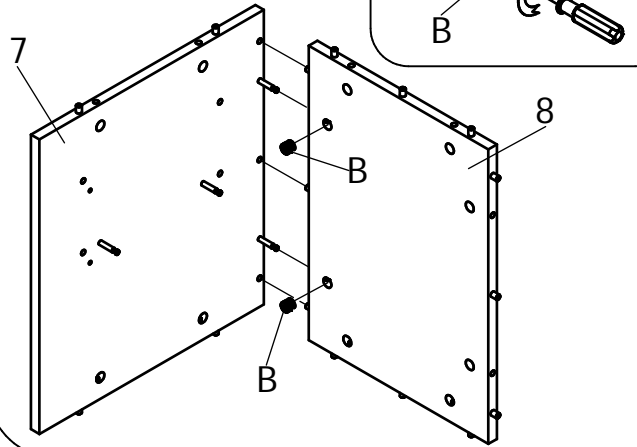




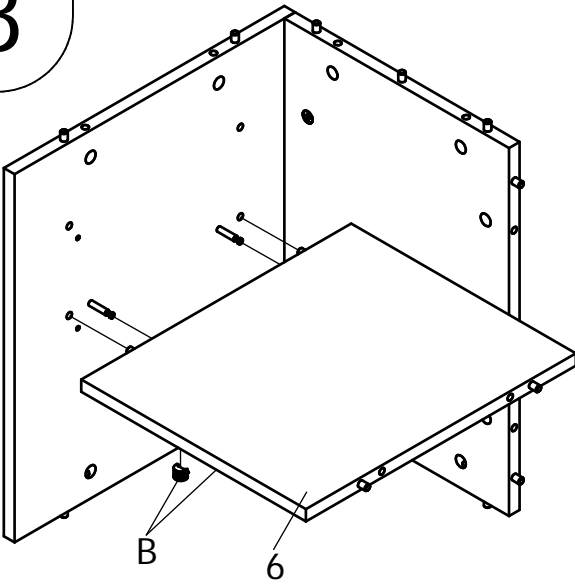
6



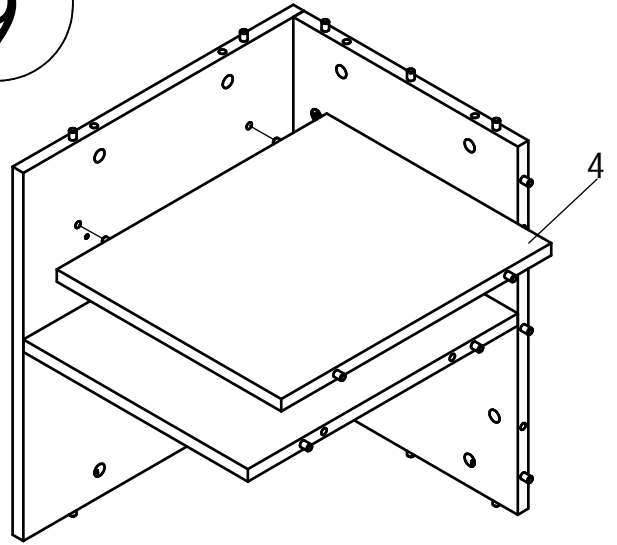
7



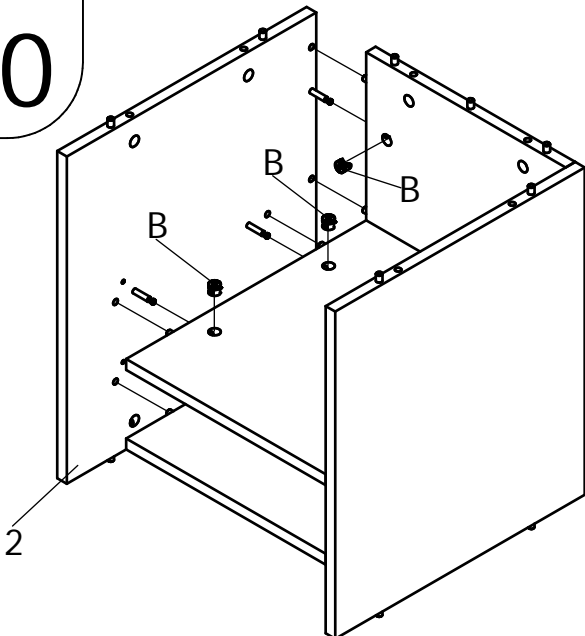
8



9



10



11

