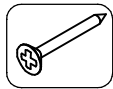


Sq M8x80 - 8 set (a)
 Sq M8x70 - 24 set (b)

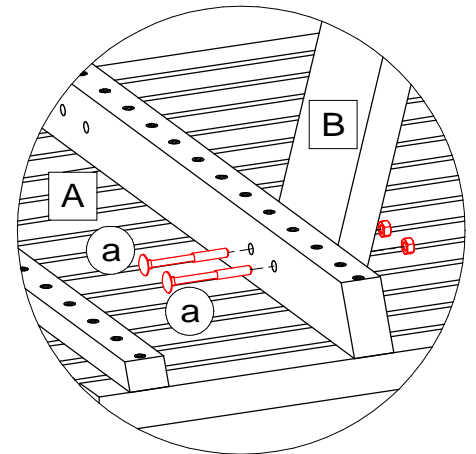
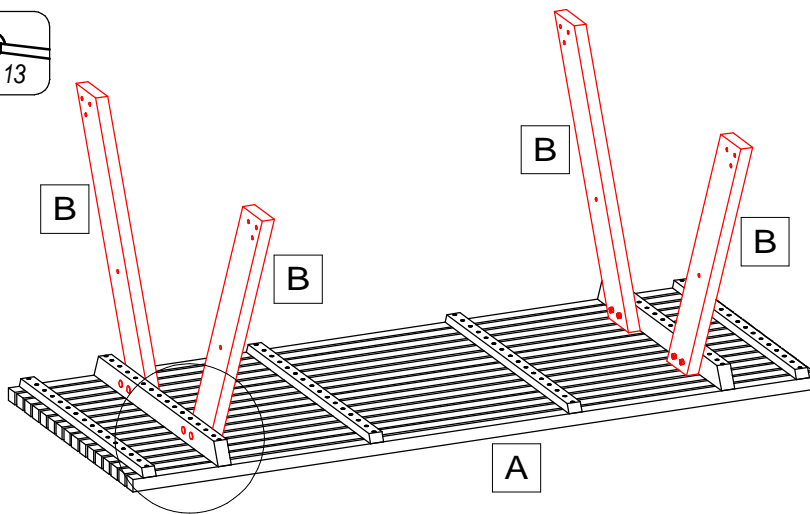
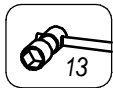


ø 4x70 - 8 set (c)

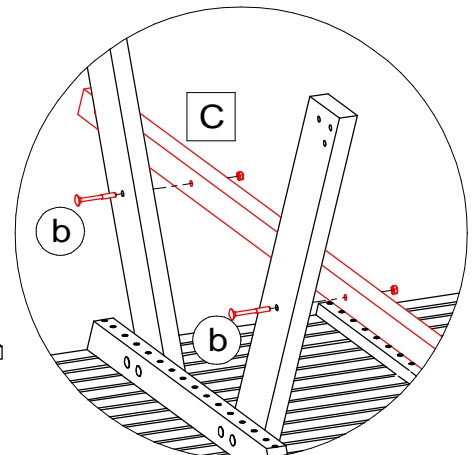
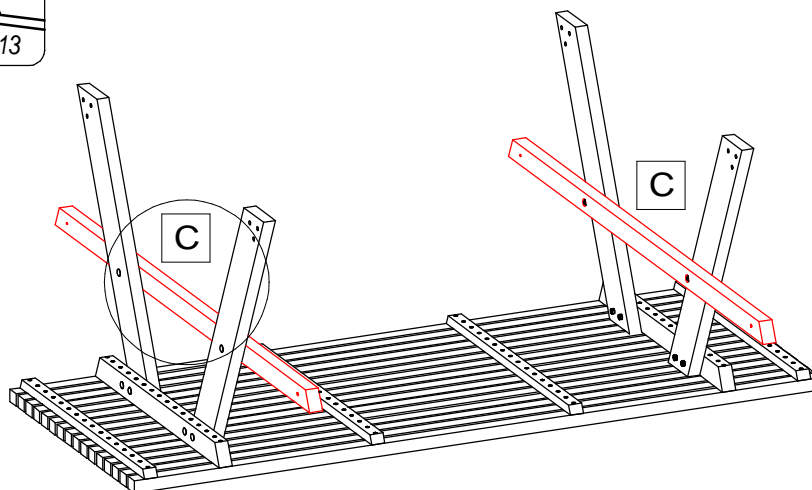
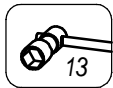
Component

A	Table top	1 pcs.
B	Table leg	2+2 set
C	Plank load-bearing benches	2 pcs.
D	Reinforcement	2 pcs.
E	Benches	2 pcs.
F	Bench leg	2+2 set

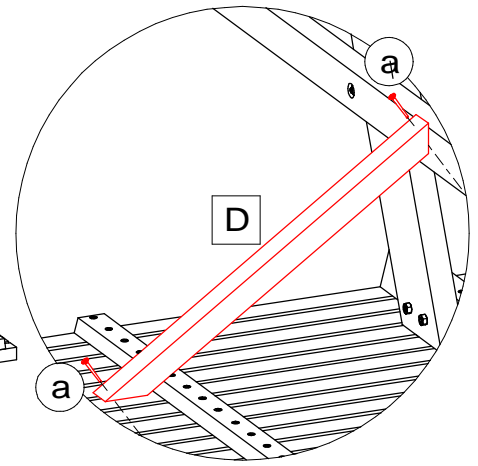
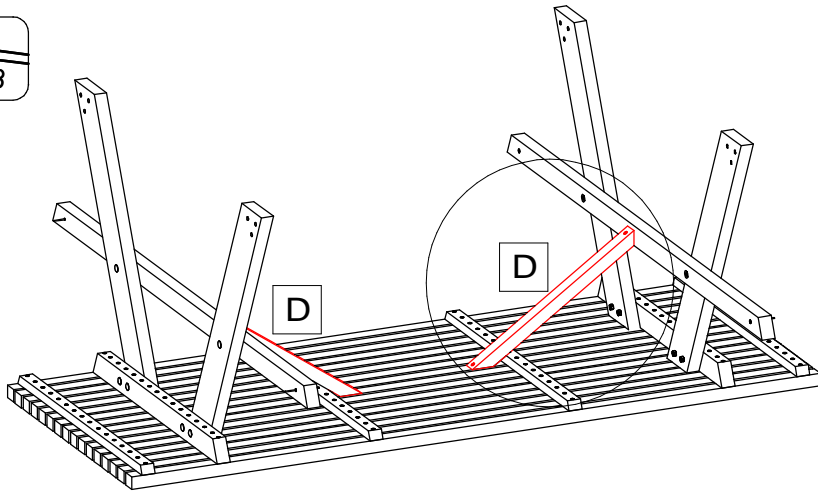
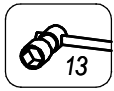
1



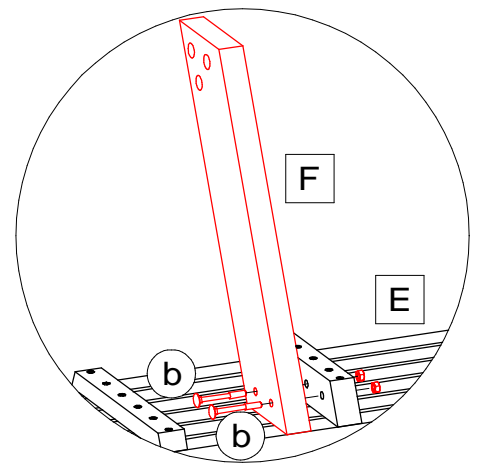
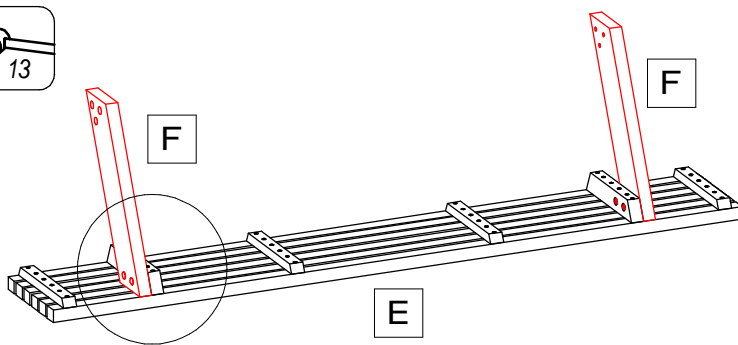
2



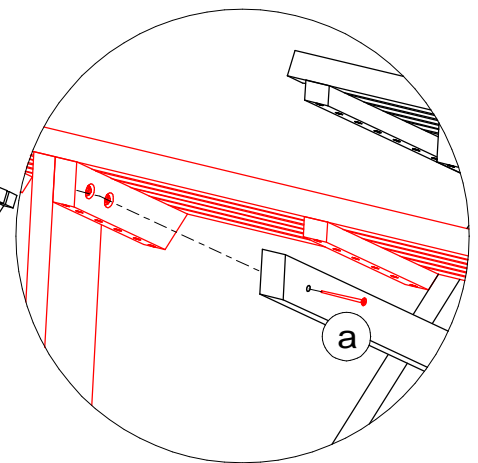
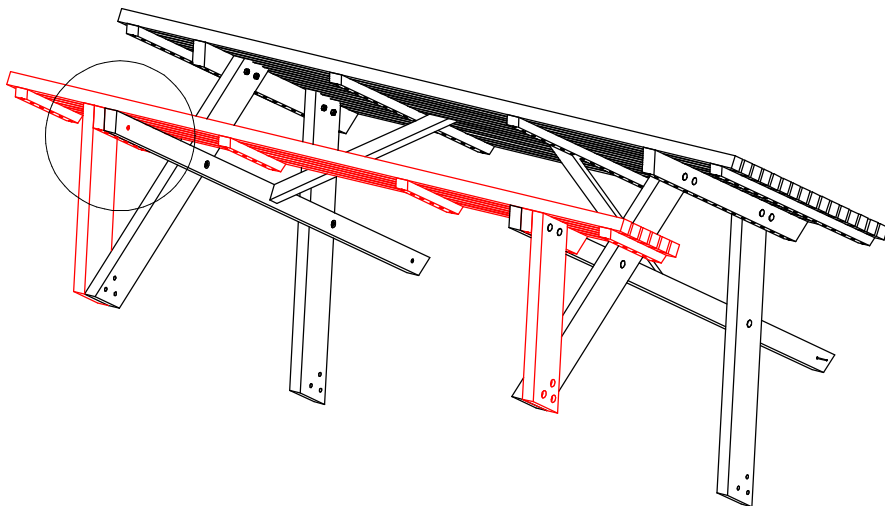
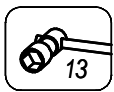
3



4



5



6

