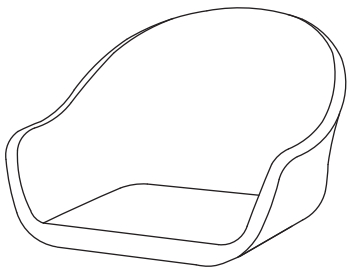
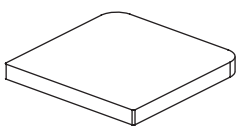


[A] x 4

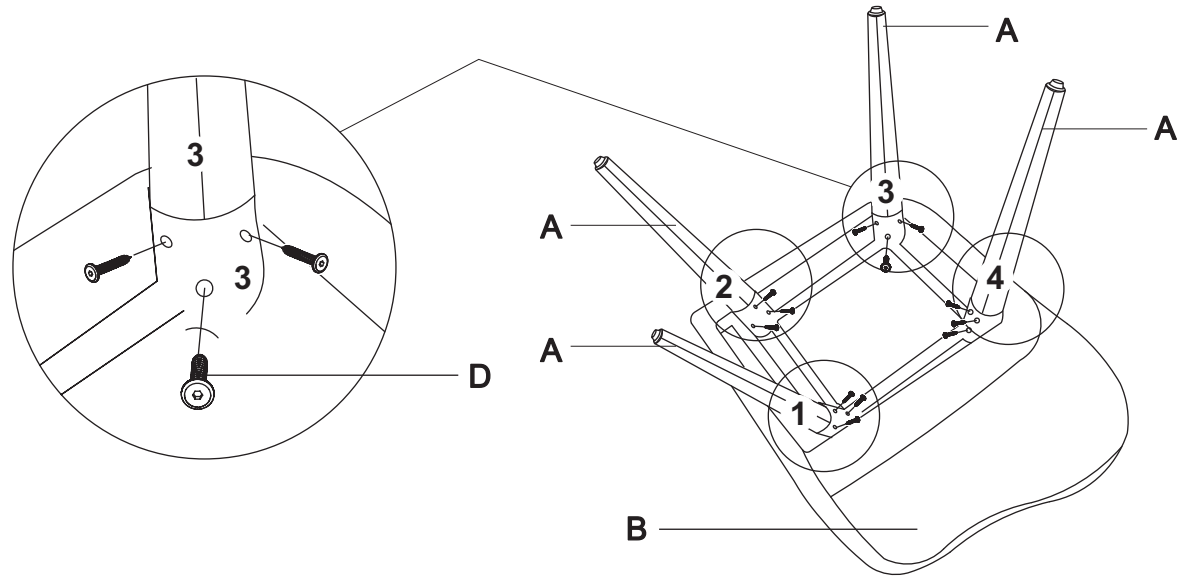


[B] x 1

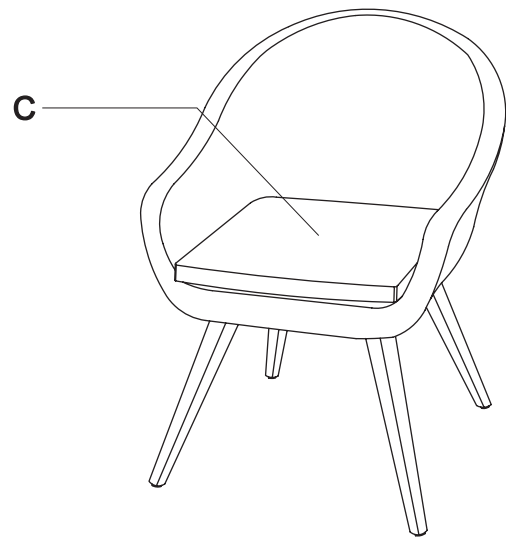




[C] x 1

[1]



[2]



D	 (Ø6 x 20mm)	x 12
E	 (Ø4mm)	x 2